



Mini DisplayPort to DVI Adapter Cables

- Adapts a Mini DisplayPort Source device to DVI compatible displays
- Supports DisplayPort 1.2 specification
- Supports up to a 1920x1200 resolution
- Lifetime Warranty

Electrical Characteristics:

Voltage Rating:	30v	
Conductor Resistance:	@ 20°C max	
Insulation Resistance:	10MΩ/km	
Time Delay:	5.2ns/m (max)	
Attenuation:	5.02dB@100-450MHz	7.69dB@1GHz
	12.595dB@2GHz	17.495dB@3GHz
	22.395dB@4GHz	27.295dB@5GHz
	32.195dB@6GHz	37.095dB@7GHz

Physical Characteristics:

Operating Temperature:	0°C to 50°C
Storage Temperature:	-25°C to 70°C
Approvals:	CE
Warranty:	Lifetime

Conductor (2 Conductor, 5 Pair):

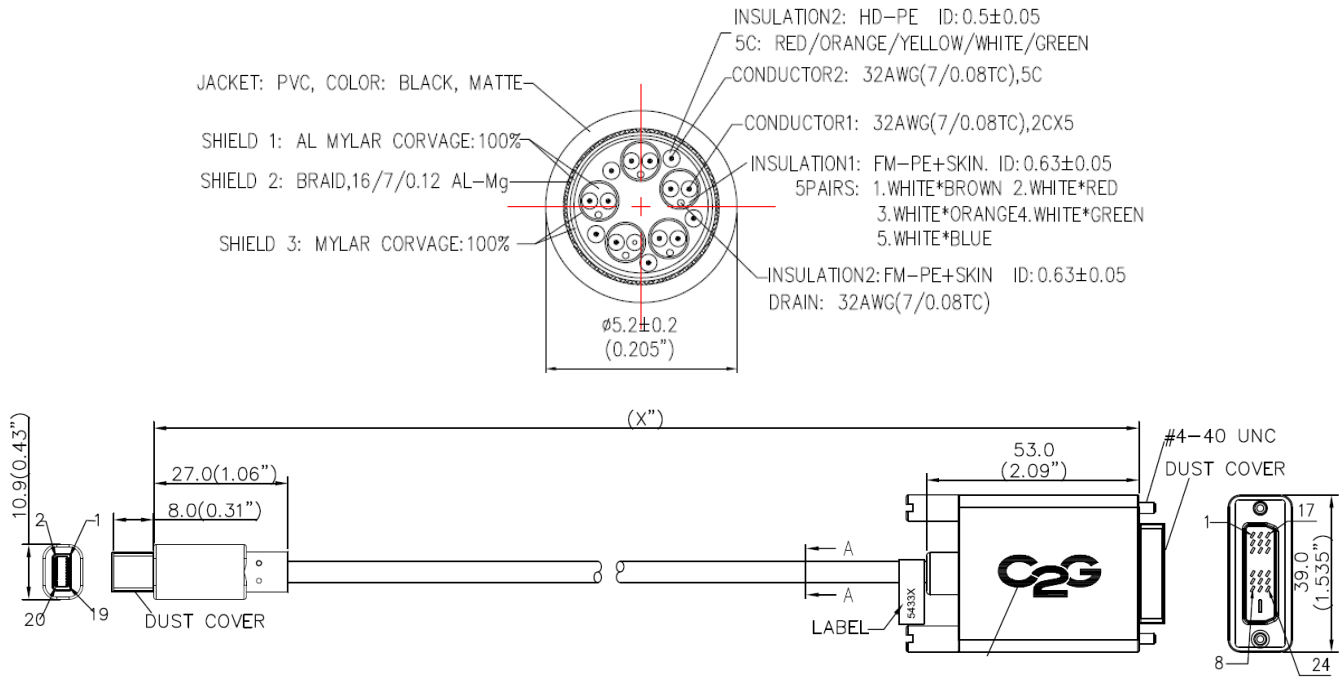
Conductor:	32AWG (7/0.08TC)
Insulation:	FM-PE, ID:0.63±0.05mm
Colour:	White/Brown, White/Red, White/Orange, White/Green White/Blue
Drain:	32AWG (7/0.08TC)
Shield:	HD-PE ID:0.63±0.05 Aluminium Foil Wrap Coverage—100%

Conductor (5 Conductors):

Conductor:	32AWG (7/0.08TC)
Insulation:	HD-PE, ID:0.5±0.05mm
Colour:	Red/Orange/Yellow/Green/ White

Overall Cable

Jacket:	PVC
Shield:	Aluminium Foil —Coverage 100%
	Braid—16/9/0.12
Drain:	2:30AWG (7/0.08 BC)
OD:	5.2±0.2



Part Number	Description	Weight (Kg)
84334	1m Mini DisplayPort Male to Single Link DVI-D Male Adapter Cable—Black	0.082
84335	2m Mini DisplayPort Male to Single Link DVI-D Male Adapter Cable—Black	0.125
84336	3m Mini DisplayPort Male to Single Link DVI-D Male Adapter Cable—Black	0.153
84337	1m Mini DisplayPort Male to Single Link DVI-D Male Adapter Cable—White	0.082
84338	2m Mini DisplayPort Male to Single Link DVI-D Male Adapter Cable—White	0.125
84339	3m Mini DisplayPort Male to Single Link DVI-D Male Adapter Cable—White	0.153

©2014 Legrand All Rights Reserved SpecSheet MSPEC_84334-39_R0



Cables To Go
 Road 30 Hortonwood Industrial Estate
 Telford, Shropshire TF1 7AB UK
 UK Phone (0)800 328 2916
 EMEA Phone +44 (0)1952 677300
www.c2g.com

