

# IPS Direct LED Super Narrow Bezel Video Wall

- ▶ 55WV70MS-B
- ▶ 55WV70BS-B
- ▶ 55WV70MD-BL

55" class (54.6" measured diagonally)



## Features

### IPS In Plane Switching

Super IPS accurately display an image's quality and color at an 178° ultra wide viewing angle. There is no fall-off in color accuracy and no diversion in contrast ratio at wide angles. From bright sunlight to the most challenging lighting environments these displays are designed to reproduce and maintain the ultimate color temperature for lifelike images.

### SHINE OUT

Shine Out is a film that covers the screen and is perfect for public outdoor spaces in areas that have a high amount of ambient light, including shopping malls, window displays, lobbies, outdoor transportation centers and quick service restaurant drive-through kiosks.

### ULTRA NARROW BEZEL WIDTH

The WV series with super slim bezel widths of 3.4mm (left/top)/1.9mm (right/bottom) create a powerful and impactful video wall that can easily be installed, maintained and managed.

### AUTO CALIBRATION

Built-in software uniformly calibrates and adjusts color and brightness automatically to each display in a video wall.

## Specifications

3D (FPR Type) (55WV70MD only)

**Native Display Resolution** 1920 X 1080 (FHD)

**Shine Out Film** for better visibility (55WV70MS-B Only)

**High Brightness** 800 cd/m<sup>2</sup> (55WV70MS-B)  
500 cd/m<sup>2</sup> (55WV70BS-B)  
450 cd/m<sup>2</sup> | 2D, 170 cd/m<sup>2</sup> | 3D  
(55WV70MD-BL)

**Contrast Ratio** 1,400:1 (Typ.), 500,000:1 (DCR)

**Super IPS 178° Viewing Angle** viewing angle and life expectancy enhanced in portrait and landscape mode

**Viewing Angle and Life Expectancy** Portrait and Landscape Mode

RGB, DVI, HDMI and DP

RJ-45 LAN Control

RS-232C Control

Convenient External Speaker-Out

Energy Star® 5.1 compliant

Smart Energy Saving

**Split Zoom** (Self Video Wall) Up to 15 x 15 matrix - Tile mode

**Bezel Width** 3.4mm (left/top)/1.9mm (right/bottom)

Convenient Handle

Temperature Sensor

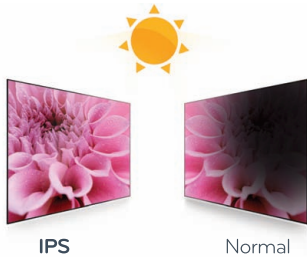
USB Playback

3-Year Limited Warranty Parts/Labor/Backlight

# IPS Superb Picture Quality

## NO BLACKENING DEFECT

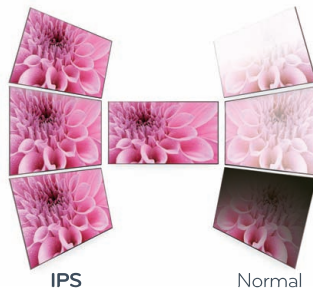
Display has a built-in temperature control that adjusts to light and heat eliminating dark or blackened areas.



If the outdoor temperature is 86°F the surface temperature of display is 185°F

## TRUE WIDE VIEWING

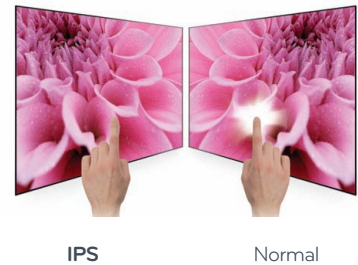
Color changes and distortion are eliminated from any viewing angle.



Color change average @ 60°  
Gamma change average @ 60°

## PANEL STABILITY

Minimized image distortion when external pressure is applied.



IPS Normal

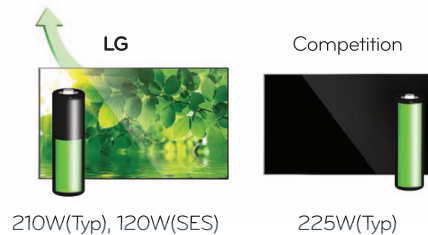
## NARROW BEZEL

The slim bezel create a powerful and impactful video wall that can easily be installed, maintained and managed.



## LED Low Power Consumption

LED panels without mercury or other harmful substances are more Eco-friendly and consume less energy.



## Shine-Out

Perfect fit for window displays by reflecting away the sunlight. Delivers the best image quality and clarity when used under direct sunlight.



## High Picture Quality

High contrast ratio of 500,000:1 delivers crisp and vivid pictures with the deepest blacks.



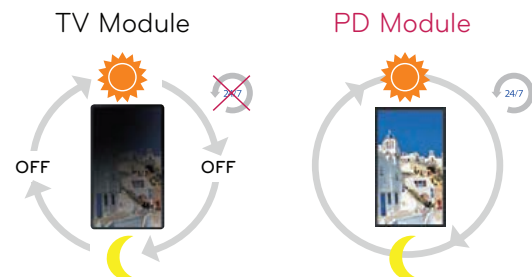
## Auto Calibration

Built-in software uniformly calibrates and adjusts color and brightness automatically to each display in a video wall.



## 24/7 Operation

The strength of LG's PD Module allows operation 24 hours a day. It is highly effective and provide continuous performance.





LIFE'S GOOD...

## when it's green.

LG is committed to improving product development, manufacturing and usage to meet the demand for products with environmentally friendlier features. Our televisions have technologies to reduce power consumption and in return increase cost savings per room.

### EcoSmart

- **Intelligent Sensor** - Continually monitors room light conditions to automatically optimize the picture quality for a more enjoyable viewing experience, which can help save energy.
- **Dynamic Power Savings** - Using built-in algorithms, TV will automatically reduce the power consumption based on incoming video, while maximizing picture performance.
- **Static Power Savings** - Picture brightness level can be set at the preferred power consumption level to reduce power and increase energy savings.
- **CEC Compliant** - Meets the Appliance Efficiency Regulations of the California Energy Commission.
- **RoHS Compliant** - Meets directive on restriction of hazardous substances.
- **Energy Star 5.1 Qualified** - Meets current reduction requirements of energy consumption.

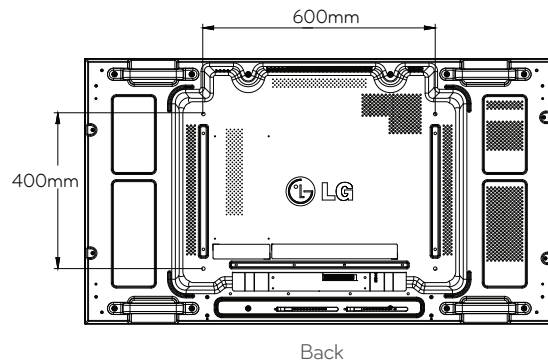
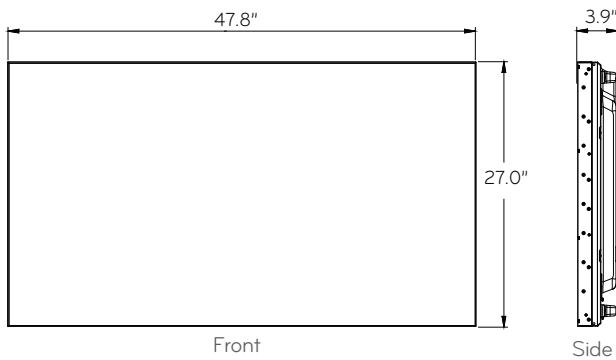


## 3D Capabilities

### 55WV70MD-BL

LG 3DTVs can be used at a variety of spaces within the hotel property such as the guest room, the lobby, bar or restaurant.

- **Guest Room** - Transport the 3D cinema experience to the guest room and take them to new heights in television entertainment.
- **Lobby** - Welcome guests and visitors with more than conventional branding and advertising. 3D content can leave a lasting impression on their minds as they recall their hotel stay.
- **Restaurants and Bars** - LG 3DTVs have the capability to turns sports and movies into an event unto itself. It's the differentiation that can attract patrons outside of good food and drink.



### REAR JACK PANEL



### SIDE JACK PANEL



# IPS Direct LED

## Super Narrow Bezel

### Video Wall

▶ 55WV70MS-B

▶ 55WV70BS-B

▶ 55WV70MD-BL

55" class (54.6" measured diagonally)



PANEL	Model	55WV70MS-B	55WV70BS-B	55WV70MD-BL
	Panel Size	55" (54.64" measured diagonal)		
	Panel Technology	IPS		
	Aspect Ratio	16 : 9		
	Native Resolution	1920 x 1080 (FHD)		
	Pixels(H x V x 3)	6,220,800		
	Brightness	800cd/m <sup>2</sup>	500cd/m <sup>2</sup>	450cd/m <sup>2</sup> (2D), 170cd/m <sup>2</sup> (3D)
	Contrast Ratio	1,400:1		
	Dynamic CR	500,000 : 1		
	Color Gamut	72%		
	Tni	110°		
	Viewing Angle	178°/178°		
	Color Depth	1.06 Billion		
	Response Time	9ms (G to G), 8ms (G to G, WOT)		10ms(G to G), 8ms(G to G, WOT)
	Surface Treatment	Hard coating(3H), Anti-reflection treatment of the front polarizer (Reflectance < 2%)		
	Life time	60,000 Hrs		
	Orientation	Portrait and Landscape		Landscape
VIDEO (PC)	Max Input Resolution	1920 X 1080@ 60Hz (RGB,HDMI/DVI-D)		
	Rec. Resolution	1920 X 1080@ 60Hz (RGB,HDMI/DVI-D)		
	H-Scanning Freq	30 ~ 68 kHz (RGB, HDMI/DVI-D)		
	V-Scanning Freq	56Hz ~ 75Hz (RGB), 56Hz~63Hz (HDMI/DVI-D)		
	Pixel Frequency	148.5 MHz (RGB, HDMI/DVI-D)		
	Picture mode	Vivid, Standard , Cinema, Sports, Game		
	Color temperature	Warm, Medium , Cool		
INPUT (Rear)	Digital	HDMI(1), DVI(1), Display Port(1) with HDCP for all input		
	Analog	Component(1), AV(1), RGB(1) (Shared with D-Sub)		
	Audio	PC/AV/Component Audio In(1)		
	External Control	RS232C(1), RJ45(1)		
	USB	USB(1)		
	HDTV Formats	Component : 720p/1080i/1080p HDMI :720P/1080i/1080p		
OUTPUT (Rear)	Digital	DVI-D(1)		
	Analog	Component(1), Composite(1), RGB(1) (Shared with D-Sub)		
	Audio	External speaker		
	External Control	RS232C		
AUDIO	Balance	Yes		
	Audio Power	20W (10W x 2)		
	Speaker on/off	Yes		
	Clear Voice II	Yes		
	Sound Mode	Standard, Music, Cinema, Sports, Game		

CABINET	Model	55WV70MS-B	55WV70BS-B	55WV70MD-BL
	Bezel Width	3.4mm (left/top) / 1.9mm(right/bottom)		
	Monitor Dimensions	47.8" x 27.0" x 3.9" (W x H x D) (head only)		
	Monitor Weight	73.6 lbs. (head only)		
	Carton Dimensions	55.1" x 31.7" x 13.0" (W x H x D)		
	Packed Weight	93.5 lbs.		
	VESA™ Standard Mount Interface	600mm x 400mm		
SPECIAL FEATURES	Shine Out Panel	Yes	No	
	Temperature Sensor			
	Tile mode, Natural mode (Up to 15 x 15)			
	Brightness/Contrast/Backlight			
	Position/Size			
	Auto Config/Phase			
	Input Label			
	Auto Power/Source Memory			
	Smart Energy Saving (Yes, Off/Minimum/Medium/Maximum/Screen Off/Auto)			
	Multi-media playback			
	File Play with USB			
	PIP/PBP			
	ISM Method			
Key Lock				
ENVIRONMENT CONDITIONS	Operation Temp.	0°C ~ 40°C		
	Operation Humidity	10% ~ 80%		
POWER	Power Supply	100-240V~, 50/60Hz		
	Power Consumption	Normal (Typ) 210W	Normal (Typ) 160W	Normal (Typ) 240W
		Smart Energy Saving on 120W	Smart Energy Saving on 90W	Smart Energy Saving on 150W
		1.0W		
	Power Off 0.5W			
STANDARD CERTIFICATION	Safety	UL / c-UL / CB / TUV / KC		
	EMC	FCC / CE / KCC		
	Erp/Energy Star	Yes / Yes (EPA 5.1)		
MEDIA PLAYER	External Media Player Attachable			
SOFTWARE	SuperSign Elite-w lite Editing, Scheduling, Distribution & Play, Control			
WARRANTY	3-Year Limited Warranty (Parts/Labor/Backlight)			
UPC	7 19192 18940 9	7 19192 19085 6	7 19192 19087 0	



LG Electronics U.S.A., Inc.  
HE B2B Division  
2000 Millbrook Drive  
Lincolnshire, IL 60069

Customer Service: 888.865.3026  
www.LGsolutions.com/support

Contact your LG Regional Sales Representative:  
Channel: 800.897.8871  
Hospitality: 800.228.1236  
E-mail: info@LGsolutions.com

SPEC\_55WV70\_121211-PR



All screen images are simulated. Dimensions and weights are approximate. Design, specifications, and features subject to change without notice.

© Copyright 2013 LG Electronics USA, Inc. All Rights Reserved. "LG Life's Good" is a registered trademark of LG Corp.

ENERGY STAR is a registered trademark of the U.S. Environmental Protection Agency. In Plane Switching is a trademark of LG Philips LCD Ltd. VESA is a trademark of Video Electronics Standards Association. HDMI, the HDMI logo and High-Definition Multimedia Interface are trademarks or registered trademarks of HDMI Licensing LLC.

All other product and brand names are trademarks or registered trademarks of their respective companies.