

M U L T I B R A C K E T S

Curved TV Wall Mounting Bracket Spacer Installation Guide

Model: M ARC Spacer kit
EAN: 7350073731398

INSTALL ASSEMBLING SHEET METAL

Use screws to fix the extend sheetmetal on the back of TV.
Fasten all of the mounting holes with at least 4 screws.

NOTE:

1. Please take care of the direction and put UP arrow as upward.
2. Please add spacer between extend sheetmetal and TV rear cover.
 - a. Use 4 spacers (30mm) if the screw hole on the TV rear cover is flat. (See Figure 1 below)
 - b. Use 4 spacers (30mm) and 2 spacers (8mm) if the screw hole on the TV rear cover is concave or any other interference happens. 2 spacers (8mm) be used for the screw holes of the above. (See Figure 2 below)
3. Please use screw M8×57 to fix extend sheetmetal.

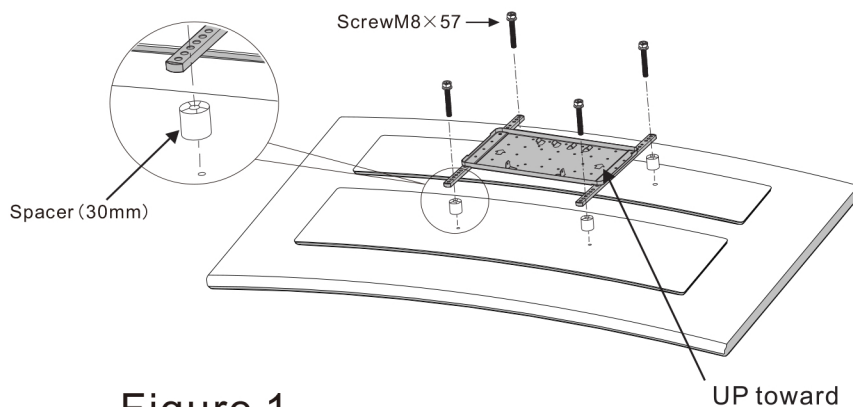


Figure 1

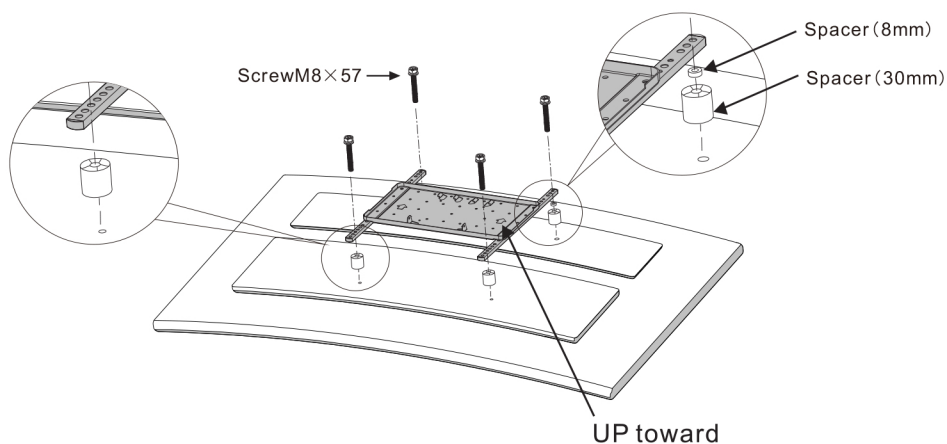


Figure 2