

DIGITAL PROJECTOR | SH940



Features

- Native Full HD (1920x1080) Resolution
- 4000 ANSI Lumens, 50,000:1 Contrast Ratio
- HQV Image Processor, True Pixel-by-Pixel
- H+V Lens Shift, 1.5 Big Zoom, 2D Keystone
- HDMI x 2, RJ45 x 1 (LAN Control)



Input and Output Terminals



- | | |
|--------------------------------|---------------------------------|
| 1 LAN (RJ45) | 7 Component Video in (5BNC) x 1 |
| 2 HDMI x 2 (1.3) | 8 Computer In (D-sub 15pin) |
| 3 Composite Video in (RCA) x 1 | 9 Monitor Out (D-sub 15pin) |
| 4 USB (Type Mini B) | 10 Audio In (Mini Jack) |
| 5 RS232 (DB-9pin) | 11 Audio Out (Mini Jack) |
| 6 DC 12V Trigger (3.5mm) | |

Specifications

Projection System	DLP®
Native Resolution	1080p (1920 x 1080)
Brightness	4000AL
Contrast Ratio	50000:1
Display Color	1.07 Billion Colors
Lens	F=2.48~2.81, f=24.1~36.15mm
Aspect Ratio	Native 16:9 (5 aspect ratio selectable)
Throw Ratio	1.62~2.43(55.7" @ 2m)
Image Size Diagonal	30"~300"
Zoom Ratio	1.5:1
Lamp Type	300W
Lamp Life (Normal/Eco Mode)*	2000/3000 hours
Keystone Adjustment	2D, Vertical & Horizontal ± 30 degrees
Lens Shift	Vertical 115% ~ 125% +/- 5%; Horizontal: 35% ~ 45%
Projection Offset	Same as Lens Shift
Resolution Support	VGA(640 x 480) to WUXGA(1920 x 1200)
Horizontal Frequency	31K~92KHz
Vertical Scan Rate	23~85Hz
HDTV Compatibility	480i, 480p, 576i, 576p, 720p, 1080i, 1080p
Video Compatibility	NTSC, PAL, SECAM
Interface	Computer in (D-sub 15pin) x 1 (Share with component) Monitor out (D-sub 15pin) x 1 HDMI x 2 (1.3) Component Video in (5BNC) x 1 Composite Video in (RCA) x 1 Audio in (Mini Jack) x 1 Audio out (Mini Jack) x 1 Speaker 10W x 1 LAN (RJ45) x 1 (LAN Control) USB (Type Mini B) x 1 (Page up down & Download) 12V Trigger x 1 RS232 (DB-9pin) x 1 IR Receiver x 2 (Front+Rear)
Dimensions (WxHxD)	16.8" x 6.7" x 12.5" (including adjust foot)
Weight	15.87 lbs
Power Supply	AC 100 to 240 V, 50/60 Hz
Power Consumption	442W(typical), Standby<0.5W
Audible Noise	36/33 dBA (Normal/Economic mode)
On-Screen Display Languages	English/French/German/Italian/Spanish/Russian/Traditional Chinese/Simplified Chinese/Japanese/Korean/Swedish/Dutch/Turkish/Czech/Portuguese/Thai/Polish
Picture Mode	Dynamic/Presentation/sRGB/Cinema/User 1/User 2
Accessories (Standard)	Remote Control w/ Battery, Power Cord (by region), User Manual CD, Quick Start Guide, Warranty Card (by region), VGA(D-sub 15pin) Cable
Accessories (Optional)	Spare Lamp Kit P/N: 5J.J8A05.001 Ceiling Mount P/N: 5J.J4N10.001
Limited Warranty	3 years parts & labor / 1 year or 2000 hours lamp life

*Lamp life results will vary depending on environmental conditions and usage. Actual product's features and specifications are subject to change without notice.

SH940 09-27-12-BQus



BenQ America Corp.
15375 Barranca Parkway, Suite A-205, Irvine, CA 92618 Tel: (949) 255-9500 www.BenQ.us

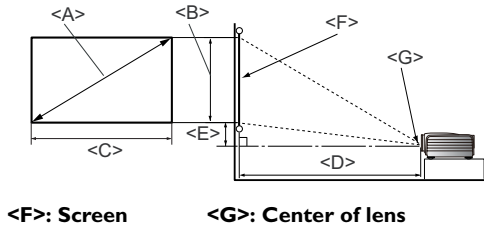
BenQ is a registered trademark of BenQ Corp. DLP® is a registered trademark of Texas Instruments. All rights reserved.
Product names, logos, brands, and other trademarks featured or referred to in this materials are the property of their respective trademark holders.
Specifications subject to change without notice.



SH940 Digital Projector

Distance Chart

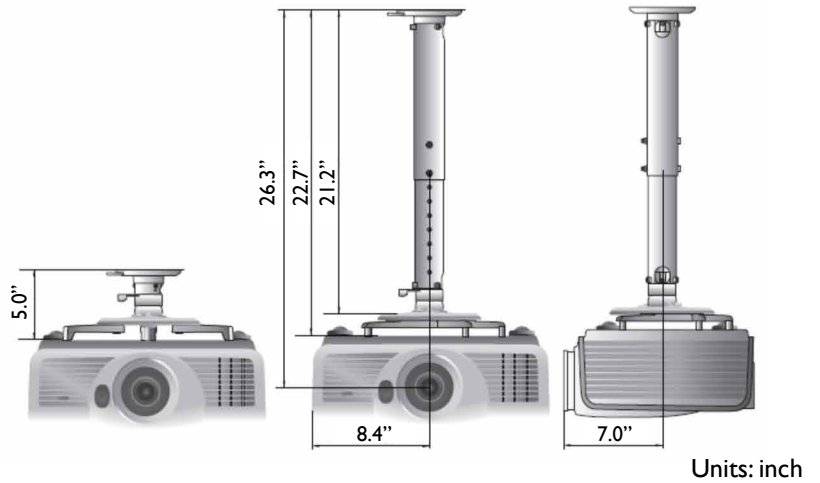
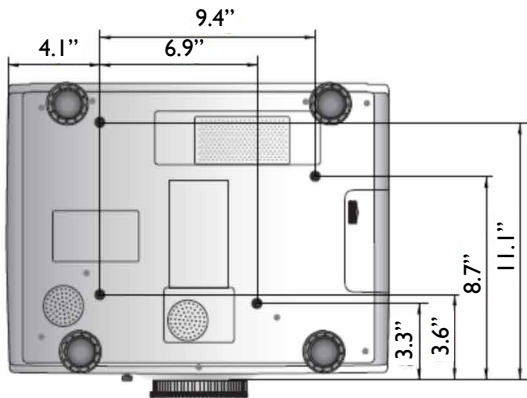
Floor Installation



Screen dimensions			Projection distance <D> [inch]			Lowest/Highest lens position <E> [inch]
Diagonal <A> [inch (mm)]	Height [inch]	Width <C> [inch]	Min distance (with max zoom)	Average	Max distance (with min zoom)	
30 (762)	15	26	43	53	64	1.85
40 (1016)	19	35	57	71	85	2.36
50 (1270)	24	44	71	88	106	3.15
60 (1524)	30	52	84	106	127	3.54
70 (1778)	34	61	99	124	148	4.33
80 (2032)	39	70	113	141	170	4.72
90 (2286)	44	78	127	159	191	5.51
100 (2540)	49	87	141	177	212	6.30
110 (2794)	54	95	156	194	233	6.69
120 (3048)	59	104	170	212	254	7.48
130 (3302)	64	113	184	230	276	7.87
140 (3556)	69	122	198	247	297	8.66
150 (3810)	74	130	212	265	318	9.06
160 (4064)	78	139	226	283	339	9.84
170 (4318)	83	148	240	300	361	10.23
180 (4572)	88	156	254	318	381	11.02
190 (4826)	93	165	269	336	403	11.81
200 (5080)	98	174	283	354	424	12.20
250 (6350)	122	218	354	442	530	15.35
300 (7620)	147	261	424	530	636	18.50

Ceiling Mount Chart

Ceiling Mount Screws M6 (Max. L = 25 mm; Min. L=20 mm)



Dimensions

