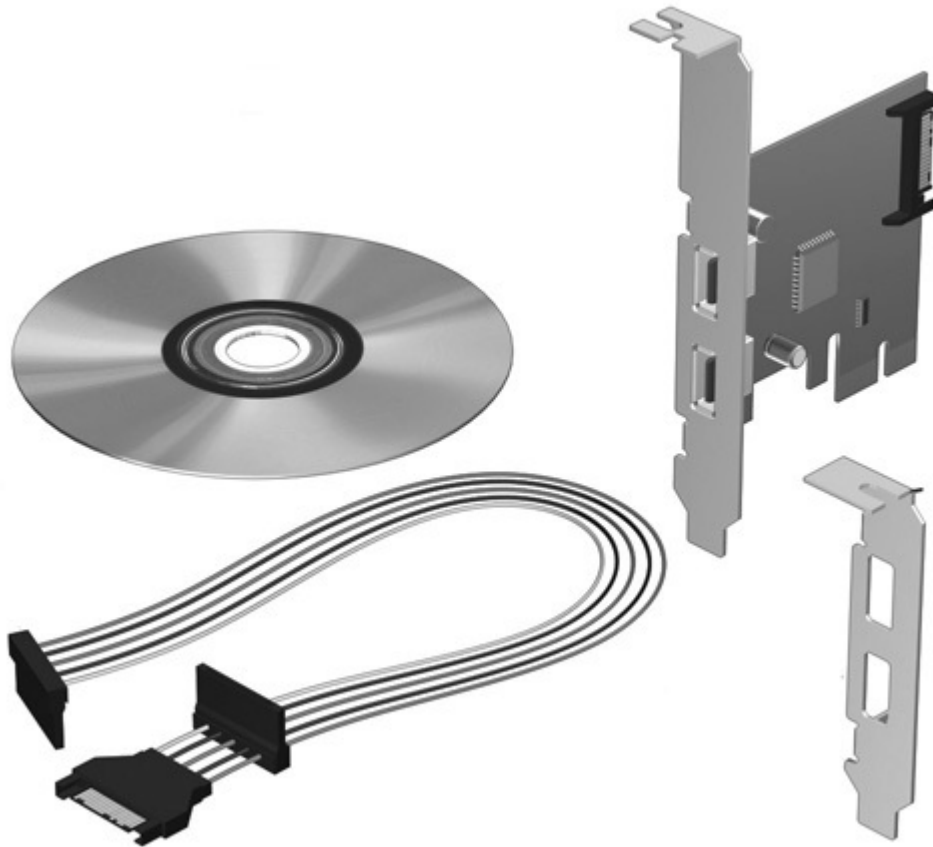


### Overview



### Models

HP Super Speed USB 3.0 PCIe x1 Card

BM867AA

### Introduction

HP Super Speed USB 3.0 PCIe x1 card provides increased data transfer and greater bandwidth to USB devices connected to your computer. The USB 3.0 PCIe card is capable of the following:

- PCIe 2.0 interface with up to 5Gbps data transfer rate – 10 times faster than the USB 2.0 – and is capable of superior performance to transfer high definition content such as video and media players
- Backwards compatible with any existing USB devices
- Fits conveniently in a half-height or full height expansion slot in the computer with convenient half-height bracket as well as the default full-height bracket

**NOTE:** The USB 3.0 PCIe x1 card has a PCIe 2.0 5GHz interface. For optimal performance, install this card in a PCIe 2.0 slot. Installing it in a PCIe 1.0 slot could cause the card to run at a reduced 2.5 GHz throughput.



### Overview

#### Key Benefits

- HP Super Speed USB 3.0 PCIe x1 Card has a 5 Gbps signaling rate offering 10x performance increase over Hi-Speed USB
  - HP Super Speed USB is a Sync-N-Go technology that minimizes user wait-time
  - HP Super Speed USB 3.0 PCIe x1 Card will provide Optimized Power Efficiency. No device polling and lower active and idle power requirements
  - HP Super Speed USB 3.0 PCIe x1 Card is backwards compatible with USB 2.0. Devices interoperate with USB 2.0 platforms. Hosts support USB 2.0 legacy devices
- 

#### Compatibility

Because the HP Super Speed USB 3.0 PCIe x1 Card is backwards compatible with USB 2.0 devices, and since it also fits conveniently in a half-height or full height expansion slot, it is compatible many of the HP Desktop PCs including HP Compaq 6000 Pro SFF, HP Compaq 6000 Pro MT, HP Compaq 6005 Pro SFF, HP Compaq 6005 Pro MT, HP Compaq 6200 Pro SFF, HP Compaq 6200 Pro MT, HP Compaq 8000 Elite SFF, HP Compaq 8000 Elite CMT, HP Compaq 8100 Elite SFF, HP Compaq 8100 Elite CMT, HP Compaq 8200 Elite SFF, HP Compaq 8200 Elite CMT, HP Compaq 8200 Elite MT, HP Compaq dc7900 Small Form Factor, HP Compaq dc7900 Convertible Minitower.

**NOTE:** Not all models are available in all regions.

---

#### Spares Information

HP Super Speed USB 3.0 PCIe x1 Card

608151-001

---

#### Service and Support

The HP Super Speed USB 3.0 PCIe x1 Card has either a one-year limited warranty or the remainder of the warranty of the HP product in which it is installed. Technical support is available seven days a week, 24 hours a day, by phone, as well as online support forums. Certain restrictions and exclusions apply.



### Technical Specifications

<b>Dimensions (HxW)</b>	<b>Full-height</b>	104.89 (+/- 0.25) x 59.04 (+/- 0.25) mm
	<b>Low profile</b>	68.09 (+/- 0.25) x 59.04 (+/- 0.25) mm
<b>Weight</b>		0.21 lb (95 g)
<b>Operating systems supported</b>		Microsoft Windows 7, Windows Vista*, Windows XP Professional (32-bit and 64-bit)
		<p>* Certain Windows Vista product features require advanced or additional hardware. Windows Vista Upgrade Advisor can help you determine which features of Windows Vista will run on your computer. To download the tool, visit <a href="http://www.windowsvista.com/upgradeadvisor">http://www.windowsvista.com/upgradeadvisor</a>. For Windows Vista system requirements, visit <a href="http://www.windowsvista.com/systemrequirements">http://www.windowsvista.com/systemrequirements</a>.</p>
<b>Agency approvals</b>		FCC 15B, CE EN55022+ EN55024, VCCI, CISPR 22 AS/NZS CISPR 22, LCIE CB service(ITE/AV) IEC 60950-1, Korea EMC, UL, USB-IF
<b>Kit contents</b>		I/O and Security Software and Documentation CD with software drivers and documentation, HP SuperSpeed USB 3.0 PCIe x1 card (with full-height expansion bracket attached), SATA to SATA split power extension cable, Low profile expansion bracket to replace the full-height expansion bracket required on some computer models and HP SuperSpeed USB 3.0 PCIe x1 Card Quick Setup

---

© Copyright 2011 Hewlett-Packard Development Company, L.P. The information contained herein is subject to change without notice.

Microsoft, Windows, and Windows Vista are either trademarks or registered trademarks of Microsoft Corporation in the United States and/or other countries.

The only warranties for HP products and services are set forth in the express warranty statements accompanying such products and services. Nothing herein should be construed as constituting an additional warranty. HP shall not be liable for technical or editorial errors or omissions contained herein.

