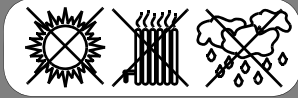


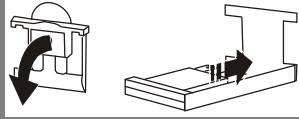
1 Place and Power On

1 Place the Back-UPS to avoid:

- Direct sunlight
- Excessive heat
- Excessive moisture



2 Connect the battery by pulling the battery connector handle down, and then pushing it into the unit.

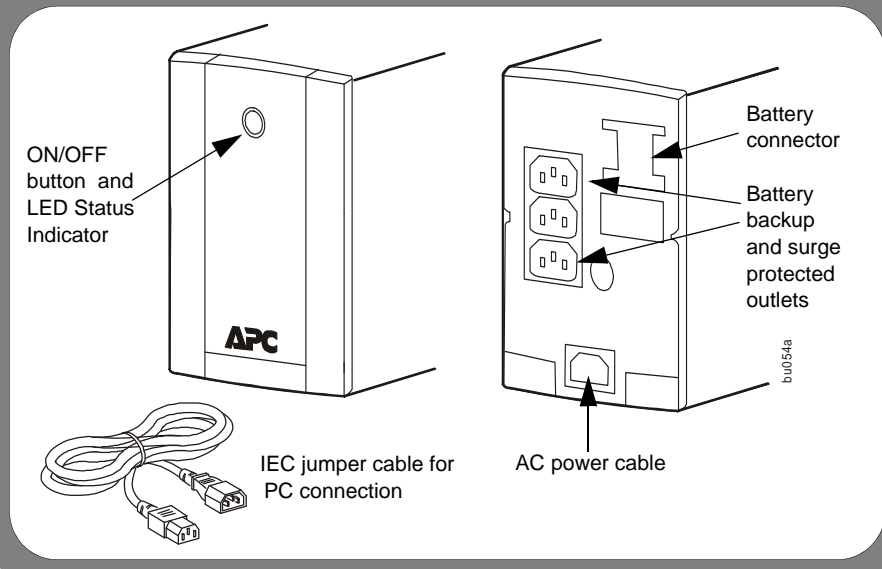


3 Plug the Back-UPS BX500CI power cord directly into a wall outlet; not into a surge protector or power strip.

4 Press the ON/OFF button to turn on the unit.

The green LED status indicator confirms that the Back-UPS is on and ready to provide protection.

The Back-UPS should charge for at least 10 hours to ensure sufficient runtime. The unit is being charged whenever it is connected to AC power, whether the unit is turned ON or OFF.



2 Adjust Transfer Voltage and Sensitivity Settings

Automatic Voltage Regulation boosts the AC voltage when it drops below safe levels. This allows the equipment plugged into the unit to operate during low voltage conditions, conserving the battery power in the event of a power cut.

The Back-UPS will switch to battery power if the input voltage level becomes too low for the Automatic Voltage Regulation to compensate, or if the AC power is distorted.

If the Back-UPS switches to battery power too frequently or too infrequently, adjust the transfer voltage and sensitivity settings:

1. Ensure the Back-UPS is off. Plug it into AC power.
2. Press and hold the ON/OFF button until the LED repeatedly flashes. The unit is now in Program Mode.
3. Release the button. The LED will flash once, twice, or three times per second, indicating the current setting.
4. Press the ON/OFF button within two seconds to change the setting. Each time the button is pressed, the LED will flash at a different rate: once, twice, or three times per second, indicating the new setting. Continue pressing the button until the desired setting is reached. If the button is not pressed within five seconds, the Back-UPS will exit the Program Mode.
5. To exit Program Mode, release the button and wait for the LED to stop flashing.

Transfer Voltage and Sensitivity Settings

LED Flashing	Voltage Sensitivity Setting	Input Voltage Range (for AC Operation)	Usage
Once per second	Low	155 - 280	The Back-UPS will switch to battery power less often. Use with equipment that is not sensitive to low or high level voltage levels or minor voltage waveform distortions.
Twice per second	Medium (factory default)	160 - 280	Default, use in normal conditions.
Three times per second	High	165 - 270	The Back-UPS will switch to battery power during any small fluctuation in voltage. Use with equipment that is sensitive to low or high level voltage levels or minor voltage waveform distortions.

3 Status Indicators

LED Status Indicator	Audible Alarm	Condition
On	Off	On-line - UPS is supplying conditioned AC power to the load
On (Off during 4 beeps)	4 beeps repeated every 30 seconds	On-Battery - Back-UPS is supplying battery power
Flashing	Rapid Beeping (every 1/2 second)	Low Battery Warning - The UPS has 1.5 minutes of remaining battery power
Flashing	Constant tone	Bad Battery Detected - Battery needs to be charged, or is at end of life.
Off	Short beep every 4 seconds	Low Battery Shutdown - During On Battery operation the battery power was almost completely exhausted
Off	Constant Tone	On Battery Overload - Connected equipment requires more power than provided by the Back-UPS battery.
On	Constant Tone	On Line Overload - The power drawn by the connected equipment exceeds the power capacity of the battery backup
Flashing	Chirp every 2 seconds	Charger Warning - Back-UPS has experienced an internal problem, but continues to power the load. Contact Schneider Electric IT (SEIT) Technical Support.
Off	Constant Tone	Charger Fault - Back-UPS has an internal problem, and is no longer powering the load. Contact SEIT Technical Support

Troubleshooting and Service

1. Consult the Troubleshooting from the APC by Schneider Electric Web site, www.apc.com.
2. If the problem persists, contact Schneider Electric IT (SEIT) Customer Support through the APC by Schneider Electric Web site, www.apc.com.
 - a. Note the model number and serial number and the date of purchase. The model and serial numbers are located on the rear panel of the unit and are available through the LCD display on select models.
 - b. Call SEIT Customer Support and a technician will attempt to solve the problem over the phone. If this is not possible, the technician will issue a Returned Material Authorization Number (RMA#).
 - c. If the unit is under warranty, the repairs are free.
 - d. Service procedures and returns may vary internationally. Refer to the APC by Schneider Electric Web site for country specific instructions.
3. Prepare to troubleshoot the problem over the phone. If this is not successful, and the unit is still under warranty, the Technical Support Representative will provide all necessary information to return the unit for replacement.

4 Specifications

Input	Voltage / Frequency	230 VAC nominal / 45-65 Hz
	Brownout Transfer / Over-voltage Transfer	160 ±8% VAC, typical / 280 VAC, typical
Output	UPS Capacity (total)	500 VA / 300 W
	Voltage On Battery	230 Vac rms
	Frequency - On Battery	50 Hz, 60 Hz ±1 Hz
	Transfer Time	50 Hz: 6ms typical, 10ms maximum 60 Hz: 5ms typical, 8ms maximum
Protection and Filter	AC Surge Protection	273 joules
	AC Input	Resettable circuit breaker
Battery	Type (maintenance-free)	Sealed, lead-acid battery
	Average Life	2 - 5 years depending on the number of discharge cycles and environmental temperature
	Typical Recharge Time	10 Hours
Physical	Net Weight	5.1 kg
	Dimensions (H x W x D)	18.55 cm x 11.5 cm x 21.3 cm

Battery Replacement

The battery in the Back-UPS BX500CI is not user-replaceable. Contact SEIT Technical Support for a list of authorized service centers near you.

Warranty

Register your product on-line. <http://warranty.apc.com>

The standard warranty is two (2) years from the date of purchase. SEIT standard procedure is to replace the original unit with a factory reconditioned unit. Customers who must have the original unit back due to the assignment of asset tags and set depreciation schedules must declare such a need at first contact with an SEIT Technical Support representative. SEIT will ship the replacement unit once the defective unit has been received by the repair department, or cross-ship upon the receipt of a valid credit card number. The customer pays for shipping the unit to SEIT. SEIT pays ground freight transportation costs to ship the replacement unit to the customer.

APC by Schneider Electric IT Customer Support Worldwide

For country specific customer support, go to the APC by Schneider Electric Web site, www.apc.com.

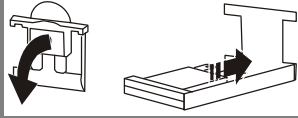
1 Place and Power On

1 Place the Back-UPS to avoid:

- Direct sunlight
- Excessive heat
- Excessive moisture



2 Connect the battery by pulling the battery connector handle down, and then pushing it into the unit.



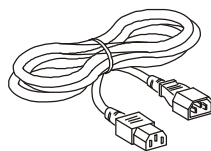
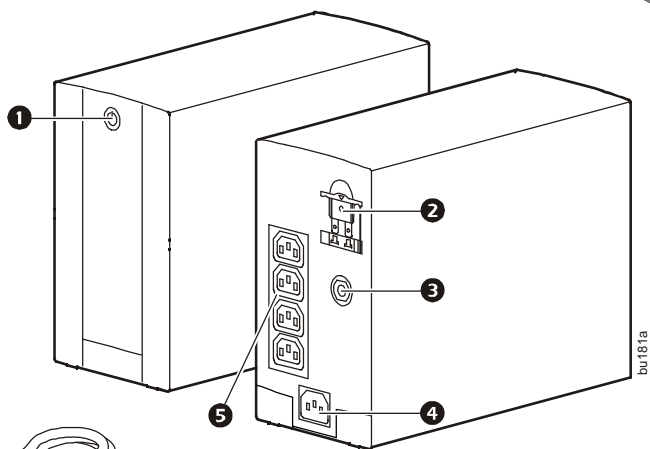
3 Plug the Back-UPS BX650CI power cord directly into a wall outlet; not into a surge protector or power strip.

4 Press the ON/OFF button to turn on the unit.

The green "Power On" indicator confirms that the Back-UPS is on and ready to provide protection.

The Back-UPS should charge for at least 10 hours to ensure sufficient runtime. The unit is being charged whenever it is connected to AC power, whether the unit is turned ON or OFF.

- 1 ON/OFF button and LED status indicator
- 2 Battery connector
- 3 Circuit breaker
- 4 Input power outlet
- 5 Battery and surge protected outlets



IEC jumper cable for PC connection

3 Status Indicators

LED	Audible Alarm	Condition
On	Off	On-line - The Back-UPS is supplying AC power to the connected equipment
	Constant Tone	On Line Overload - The power being used by the connected equipment has exceeded the capacity of the unit. Disconnect some equipment
	Constant beeping	Over-temperature Warning - The unit is overheating and will shut down if the temperature is not lowered. Disconnect some of the connected equipment.
On (Off during 4 beeps)	4 beeps repeated every 30 seconds	On-Battery - The Back-UPS is supplying battery power
Flashing	Rapid Beeping (every 1/2 second)	Low Battery Warning - The Back-UPS has 2 minutes of runtime remaining
	Constant tone	Bad Battery Detected - The battery needs to be charged, or is at end of life. (See <i>Battery Replacement</i> .)
	Chirp every 2 seconds	Charger Warning - The Back-UPS has experienced an internal problem, but is still providing power to the connected equipment. Contact Schneider Electric IT (SEIT) Technical Support
Off	Short beep every 4 seconds	Low Battery Shutdown - During On Battery operation the battery power was almost completely exhausted, and the Back-UPS is waiting for AC power to return to normal
	Constant Tone	On Battery Overload - The connected equipment requires more power than provided by the Back-UPS battery. Unplug devices one at a time to remove overload. If the problem is not corrected, contact SEIT Technical Support
	Constant Tone	Charger Fault - Back-UPS has an internal problem, and is no longer powering the load. Contact SEIT Technical Support
	Constant Tone	Temperature Fault - The Back-UPS has overheated and has shut down.

Troubleshooting and Service

1. Consult the Troubleshooting from the APC by Schneider Electric Web site, www.apc.com.
2. If the problem persists, contact Schneider Electric IT (SEIT) Customer Support through the APC by Schneider Electric Web site, www.apc.com.
 - e. Note the model number and serial number and the date of purchase. The model and serial numbers are located on the rear panel of the unit and are available through the LCD display on select models.
 - f. Call SEIT Customer Support and a technician will attempt to solve the problem over the phone. If this is not possible, the technician will issue a Returned Material Authorization Number (RMA#).
 - g. If the unit is under warranty, the repairs are free.
 - h. Service procedures and returns may vary internationally. Refer to the APC by Schneider Electric Web site for country specific instructions.
3. Prepare to troubleshoot the problem over the phone. If this is not successful, and the unit is still under warranty, the Technical Support Representative will provide all necessary information to return the unit for replacement.

2 Adjust Transfer Voltage and Sensitivity Settings

Automatic Voltage Regulation boosts the AC voltage when it drops below safe levels. This allows the equipment plugged into the unit to operate during low voltage conditions, conserving the battery power in the event of a power cut.

The Back-UPS will switch to battery power if the input voltage level becomes too low for the Automatic Voltage Regulation to compensate, or if the AC power is distorted.

If the Back-UPS switches to battery power too frequently or too infrequently, adjust the transfer voltage and sensitivity settings:

1. Ensure the Back-UPS is off. Plug it into AC power.
2. Press and hold the ON/OFF button until the LED repeatedly flashes. The unit is now in Program Mode.
3. Release the button. The LED will indicate the current setting by flashing once, twice, or three times per second, and emitting audible beeps.
4. Press the ON/OFF button within two seconds to change the setting. Continue pressing the button until the desired setting is reached. If the button is not pressed within five seconds, the Back-UPS will exit the Program Mode.

No-load Shutdown

If the UPS is operating on battery power and detects that the connected equipment is using less than 15 W of energy for more than 15 minutes, it will shut down to conserve energy. When the UPS is reconnected to AC power, the UPS will automatically switch on.

Note: Even if the UPS is OFF, it is still protecting connected equipment from power surges.

LED Flashing	Audible Indicator	Voltage Sensitivity Setting	Input Voltage Range	No-load Shutdown	Description
Once per second	None	Low	140-300	Disabled	The Back-UPS will switch to battery power less often.
Once per second	4 beeps per second	Low	140-300	Enabled	The Back-UPS will switch to battery power less often.
Twice per second	None	Medium	140-300	Disabled	Use when the input AC power is normal, without any fluctuation in voltage levels.
Twice per second	4 beeps per second	Medium (factory default)	140-300	Enabled	Use when the input AC power is normal, without any fluctuation in voltage levels.
Three times per second	None	High	150-290	Disabled	The Back-UPS will switch to battery power during any small fluctuation in voltage.
Three times per second	4 beeps per second	High	150-290	Enabled	The Back-UPS will switch to battery power during any small fluctuation in voltage.

4 Specifications

Input	Voltage / Frequency	230 VAC / 45-65 Hz
	Brownout Transfer / Over-voltage Transfer	140 VAC, typical / 300 VAC, typical
Output	UPS Capacity (total)	650 VA / 390 W
	Voltage On Battery	230 Vac rms
	Frequency - On Battery	50 Hz, 60 Hz ±1 Hz
	Transfer Time	6ms typical
Protection and Filter	AC Surge Protection	273 joules
	AC Input	Resettable circuit breaker
Battery	Type (maintenance-free)	12V, 7.2 AH
	Average Life	2 - 5 years depending on the number of discharge cycles and environmental temperature
	Typical Recharge Time	8 Hours
Physical	Net Weight	6.2 kg
	Dimensions (H x W x D)	20 cm x 11.5 cm x 25.7 cm

Battery Replacement

The battery in the Back-UPS BX650CI is not user-replaceable. Contact SEIT Technical Support for a list of authorized service centers near you.

Warranty

Register your product on-line. <http://warranty.apc.com>

The standard warranty is two (2) years from the date of purchase. SEIT standard procedure is to replace the original unit with a factory reconditioned unit. Customers who must have the original unit back due to the assignment of asset tags and set depreciation schedules must declare such a need at first contact with an SEIT Technical Support representative. SEIT will ship the replacement unit once the defective unit has been received by the repair department, or cross-ship upon the receipt of a valid credit card number. The customer pays for shipping the unit to SEIT. SEIT pays ground freight transportation costs to ship the replacement unit to the customer.

APC by Schneider Electric IT Customer Support Worldwide

For country specific customer support, go to the APC by Schneider Electric Web site, www.apc.com.

by Schneider Electric

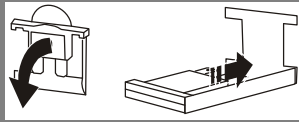
1 Place and Power On

1 Place the Back-UPS to avoid:

- Direct sunlight
- Excessive heat
- Excessive moisture



2 Connect the battery by pulling the battery connector handle down, and then pushing it into the unit.



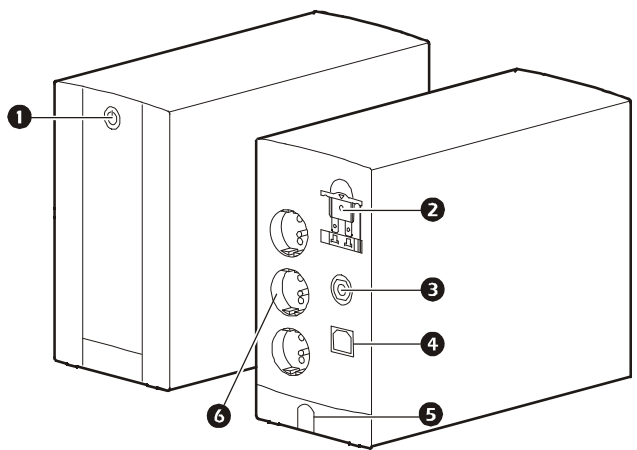
3 Plug the Back-UPS BX650CI-FR power cord directly into a wall outlet; not into a surge protector or power strip.

4 Press the ON/OFF button to turn on the unit.

The green LED status indicator confirms that the Back-UPS is on and ready to provide protection.

The Back-UPS should charge for at least 10 hours to ensure sufficient runtime. The unit is being charged whenever it is connected to AC power, whether the unit is turned ON or OFF.

- 1 ON/OFF button and LED status indicator
- 2 Battery connector
- 3 Circuit breaker
- 4 USB serial data port
- 5 AC power cable
- 6 Battery and surge protected outlets



PowerChute™ Personal Edition Software

PowerChute Personal Edition Software allows you to use your computer to access additional power protection and management features of the Back-UPS.

Installation

Connect the Back-UPS to a computer using a USB cable. Plug one end into the PowerChute Port on the rear panel of the Back-UPS and the other into a USB port on your computer.

Insert the PowerChute CD into your computer and follow the on-screen instructions.

For a detailed operation, go to www.apc.com and select the matching software and firmware.

3 Status Indicators

LED Status Indicator	Audible Alarm	Condition
Illuminates Green	None	Power On - The Back-UPS is supplying AC power to the connected equipment.
	Constant tone	Overload Alarm - The Back-UPS draws more voltage than the AC voltage rating allows. Disconnect non-essential equipment.
	Constant beeping	Overload Shutdown - While operating on AC power the Back-UPS experiences an overload condition. Disconnect non-essential equipment, one device at a time until the overload condition has been corrected. The Back-UPS will shutdown if the overload condition is not corrected.
Illuminates Green The LED is not illuminated during the beeps.	4 beeps once every 30 seconds	On Battery - The Back-UPS is supplying battery power to the battery backup outlet.
Flashes Green	Rapid beeps once every 1/2 second	Low Battery Warning - The Back-UPS is supplying battery power to the battery backup outlet and the battery is near a total discharge state. The Back-UPS has 2 minutes of runtime remaining before shutdown.
	Constant tone	Bad Battery Warning - The battery needs to be charged, or is at the end of its service life. The battery in this unit is not replaceable. Contact Schneider Electric IT (SEIT) Technical Support.
	Chirps once every 2 seconds	Charger Warning - The Back-UPS has experienced an internal fault, and continues to provide power to the connected equipment. Contact SEIT Technical Support.
Not Illuminated	Constant tone	On Battery Overload - While operating on battery power the connected equipment draws more voltage than the battery capacity can provide. Disconnect non-essential equipment, one device at a time until the overload condition has been corrected. If the problem persists, contact SEIT Technical Support.
	Constant tone	Internal Charger Fault - The Back-UPS experiences an internal fault and no longer provides power to connected equipment. Contact SEIT Technical Support
	Constant tone	Temperature Fault - The Back-UPS has overheated and has shut down.
	Short beeps every 4 seconds	Low Battery Shutdown - During On Battery operation the battery is at a complete discharge state and the Back-UPS stops providing output power. (Once AC power is restored the Back-UPS will return to normal operation.)

Warranty

Register your product on-line. <http://warranty.apc.com>

The standard warranty is two (2) years from the date of purchase. SEIT standard procedure is to replace the original unit with a factory reconditioned unit. Customers who must have the original unit back due to the assignment of asset tags and set depreciation schedules must declare such a need at first contact with an SEIT Technical Support representative. SEIT will ship the replacement unit once the defective unit has been received by the repair department, or cross-ship upon the receipt of a valid credit card number. The customer pays for shipping the unit to SEIT. SEIT pays ground freight transportation costs to ship the replacement unit to the customer.

2 Adjust Transfer Voltage and Sensitivity Settings

Automatic Voltage Regulation boosts the AC voltage when it drops below safe levels. This allows the equipment plugged into the unit to operate during low voltage conditions, conserving the battery power in the event of a power cut.

The Back-UPS will switch to battery power if the input voltage level becomes too low for the Automatic Voltage Regulation to compensate, or if the AC power is distorted.

If the Back-UPS switches to battery power too frequently or too infrequently, adjust the transfer voltage and sensitivity settings:

1. Ensure the Back-UPS is off. Plug it into AC power.
2. Press and hold the ON/OFF button until the LED repeatedly flashes. The unit is now in Program Mode.
3. Release the button. The LED will flash once, twice, or three times per second, indicating the current setting.
4. Press the ON/OFF button within two seconds to change the setting. Each time the button is pressed, the LED will flash at a different rate: once, twice, or three times per second, indicating the new setting. Continue pressing the button until the desired setting is reached. If the button is not pressed within five seconds, the Back-UPS will exit the Program Mode.
5. To exit Program Mode, release the button and wait for the LED to stop flashing

No-load Shutdown

If the UPS is operating on battery power and detects that the connected equipment is using less than 15 W of energy for more than 15 minutes, it will shut down to conserve energy. When the UPS is reconnected to AC power, the UPS will automatically switch on.

Note: Even if the UPS is OFF, it is still protecting connected equipment from power surges.

LED Flashing	Audible Indicator	Voltage Sensitivity Setting	Input Voltage Range	No-load Shutdown	Description
Once per second	None	Low	140-300	Disabled	The Back-UPS will switch to battery power less often.
Once per second	4 beeps per second	Low	140-300	Enabled	The Back-UPS will switch to battery power less often.
Twice per second	None	Medium	140-300	Disabled	Use when the input AC power is normal, without any fluctuation in voltage levels.
Twice per second	4 beeps per second	Medium (factory default)	140-300	Enabled	Use when the input AC power is normal, without any fluctuation in voltage levels.
Three times per second	None	High	150-290	Disabled	The Back-UPS will switch to battery power during any small fluctuation in voltage.
Three times per second	4 beeps per second	High	150-290	Enabled	The Back-UPS will switch to battery power during any small fluctuation in voltage.

4 Specifications

Input	Voltage	230 VAC nominal
	Frequency	50/60 Hz
	Brownout Transfer	140 VAC, typical
	Over-voltage Transfer	300 VAC, typical
Output	UPS Capacity (total)	650 VA / 390 W
	Voltage On Battery	230 Vac rms (step-approximated sine wave)
	Frequency - On Battery	50 Hz ±1 Hz, 60 Hz ±1 Hz
	Transfer Time	6ms typical
Protection and Filtering	AC Surge Protection	Full time, 273 joules
	AC Input	Resettable circuit breaker
Battery	Type (maintenance-free)	12V, 7.2 AH
	Average Life	2 - 5 years depending on the number of discharge cycles and environmental temperature
	Typical Recharge Time	8 Hours
Physical	Net Weight	6.0 kg
	Dimensions (H x W x D)	20 cm x 11.5 cm x 25.6 cm

Battery Replacement

The battery in the Back-UPS BX650CI-FR is not user-replaceable. Contact SEIT Technical Support for a list of authorized service centers near you.

Troubleshooting and Service

1. Consult the Troubleshooting from the APC by Schneider Electric Web site, www.apc.com.
2. If the problem persists, contact Schneider Electric IT (SEIT) Customer Support through the APC by Schneider Electric Web site, www.apc.com.
 - a. Note the model number and serial number and the date of purchase. The model and serial numbers are located on the rear panel of the unit and are available through the LCD display on select models.
 - b. Call SEIT Customer Support and a technician will attempt to solve the problem over the phone. If this is not possible, the technician will issue a Returned Material Authorization Number (RMA#).
 - c. If the unit is under warranty, the repairs are free.
 - d. Service procedures and returns may vary internationally. Refer to the APC by Schneider Electric Web site for country specific instructions.
3. Prepare to troubleshoot the problem over the phone. If this is not successful, and the unit is still under warranty, the Technical Support Representative will provide all necessary information to return the unit for replacement.

APC by Schneider Electric IT Customer Support Worldwide

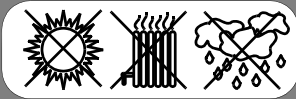
For country specific customer support, go to the APC by Schneider Electric Web site, www.apc.com.

by Schneider Electric

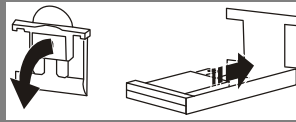
1 Place and Power On

1 Place the Back-UPS to avoid:

- Direct sunlight
- Excessive heat
- Excessive moisture



2 Connect the battery by pulling the battery connector handle down, and then pushing it into the unit.



3 Plug the Back-UPS BX800CI/BX1100CI power cord directly into a wall outlet; not into a surge protector or power strip.

4 Press the ON/OFF button to turn on the unit.

5 The green "On Line" indicator confirms that the Back-UPS is on and ready to provide protection.

The Back-UPS should charge for at least 10 hours to ensure sufficient runtime. The unit is being charged whenever it is connected to AC power, whether the unit is turned ON or OFF.

2 Adjust Transfer Voltage and Sensitivity Settings

Automatic Voltage Regulation boosts the AC voltage when it drops below safe levels. This allows the equipment plugged into the unit to operate during low voltage conditions, conserving the battery power in the event of a power cut.

The Back-UPS will switch to battery power if the input voltage level becomes too low for the Automatic Voltage Regulation to compensate, or if the AC power is distorted.

If the Back-UPS switches to battery power too frequently or too infrequently, adjust the transfer voltage and sensitivity settings:

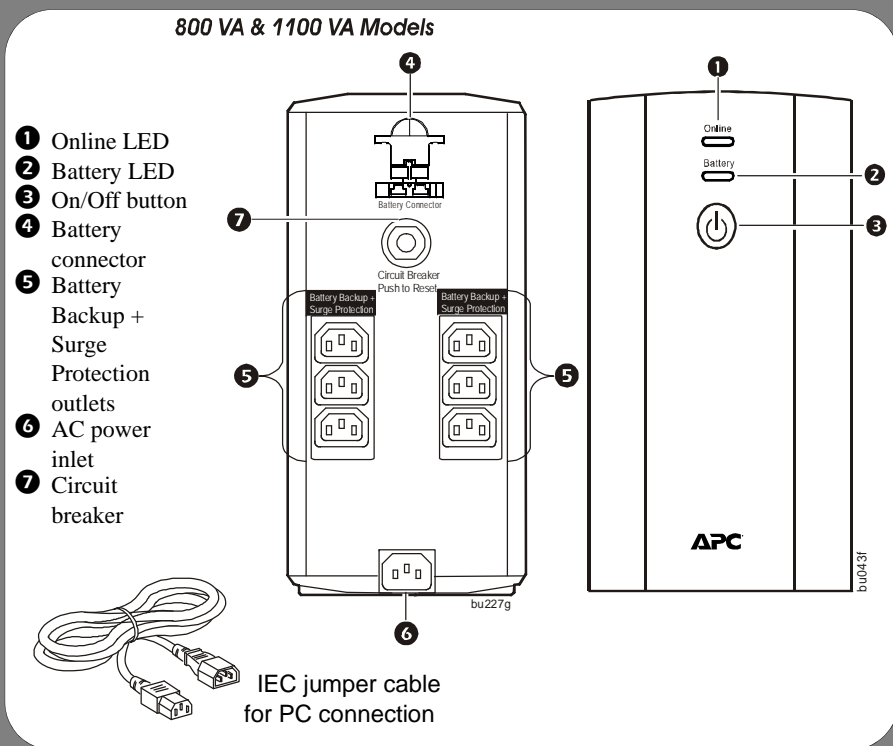
1. Verify that the Back-UPS battery is connected. Connect the Back-UPS to a wall outlet. The Back-UPS should be turned off.
2. Press and hold the ON/OFF button for 10 seconds. The LEDs will illuminate green and red alternately, to indicate that the Back-UPS is in **Program** mode.
3. The LEDs will flash either green, red or green and red alternately to indicate the current sensitivity level. The Back-UPS will beep to indicate that No-load Shutdown is enabled. Refer to the table for an explanation of the transfer voltage sensitivity levels.
4. To select LOW sensitivity, press the ON/OFF button until the **On Line** LED flashes green.
5. To select MEDIUM sensitivity, press the ON/OFF button until the **Battery** LED flashes red.
6. To select HIGH sensitivity, press the ON/OFF button until the **On Line** and **Battery** LEDs flash green and red alternately.
7. To exit **Program** mode wait for five seconds and both LEDs will extinguish. **Program** mode is no longer active..

No-load Shutdown

The UPS will shut down to conserve energy if while operating on battery power the UPS detects that connected equipment is using less than 15 W of energy for more than 15 minutes.

No load shutdown can be enabled or disabled through **Program** mode.

LED Flashes	Audible Indicator	Voltage Sensitivity Setting	Input Voltage Range	No-load Shutdown	Description
Green	None	Low	150-280	Disabled	Use this setting with equipment that is less sensitive to fluctuations in voltage or waveform distortions.
Green	4 beeps per second	Low	150-280	Enabled	Use this setting with equipment that is less sensitive to fluctuations in voltage or waveform distortions.
Red	None	Medium	155-280	Disabled	Use this setting for normal operation conditions.
Red	4 beeps per second	Medium (factory default)	155-280	Enabled	Use this setting for normal operation conditions.
Green and Red	None	High	160-280	Disabled	Use this setting when connected equipment is sensitive to voltage fluctuations or waveform distortions.
Green and Red	4 beeps per second	High	160-280	Enabled	Use this setting when connected equipment is sensitive to voltage fluctuations or waveform distortions.



3 Status Indicators

Status	LED Indicator	Audible Alarm	Audible Alarm Terminates
Power On The Back-UPS is supplying AC power to connected equipment.	The On Line LED illuminates green.	None	N/A
On Battery The Back-UPS is supplying battery power to battery backup outlets.	The On Line LED illuminates green. The LED is not illuminated during the beeps.	Back-UPS beeps 4 times every 30 seconds.	The beeping stops when AC power is restored or the Back-UPS is turned off.
Low Battery warning The Back-UPS is supplying battery power to the battery backup outlets and the battery is near a total discharge state.	The On Line LED flashes green.	The Back-UPS emits rapid beeping. (once every second)	The beeping stops when AC power is restored or the Back-UPS is turned off.
Replace Battery The battery is disconnected. The battery needs to be charged or replaced.	• The Battery LED flashes red. • Battery and On Line LEDs flash alternately.	Constant tone	The Back-UPS is turned off.
Overload Shutdown While operating on battery power an overload condition has occurred in one or more of the battery backup outlets.	None	Constant tone	The Back-UPS is turned off.
Sleep Mode While operating on battery power the battery is completely discharged. The Back-UPS will awaken once AC power is restored.	None	The Back-UPS beeps once every four seconds.	• AC power is restored • AC power is not restored within 32 seconds • The Back-UPS is turned off
Overload Alarm The equipment connected to the Back-UPS is drawing more power than the voltage rating allows.	The Battery LED illuminates red.	Constant tone	Alarm stops when nonessential equipment is disconnected from the Battery Backup outlets.

Troubleshooting and Service

1. Consult the Troubleshooting from the APC by Schneider Electric Web site, www.apc.com.
2. If the problem persists, contact Schneider Electric IT (SEIT) Customer Support through the APC by Schneider Electric Web site, www.apc.com.
 - a. Note the model number and serial number and the date of purchase. The model and serial numbers are located on the rear panel of the unit and are available through the LCD display on select models.
 - b. Call SEIT Customer Support and a technician will attempt to solve the problem over the phone. If this is not possible, the technician will issue a Returned Material Authorization Number (RMA#).
 - c. If the unit is under warranty, the repairs are free.
 - d. Service procedures and returns may vary internationally. Refer to the APC by Schneider Electric Web site for country specific instructions.
3. Prepare to troubleshoot the problem over the phone. If this is not successful, and the unit is still under warranty, the Technical Support Representative will provide all necessary information to return the unit for replacement.

4 Specifications

Specification	BX800CI	BX1100CI
Input	Voltage	230 Vac, nominal
	Frequency	50 Hz ±3 Hz, 60 Hz ±3 Hz
	Brownout Transfer	155 Vac, typical
	Over-voltage Transfer	280 Vac, typical
Output	UPS Capacity (total)	800 VA / 480 W 1100 VA / 660 W
	Voltage On Battery	230 Vac rms (step-approximated sinewave)
	Frequency on Battery	50 Hz ±1 Hz, 60 Hz ±1 Hz
Protection and Filtering	AC Surge Protection	Full time, 273 Joules
	AC Input	Resettable circuit breaker
Battery	Type (maintenance free)	12 V 9 Ah Each battery 12 V 7.2 Ah
	Average Life	2 - 5 years depending on the number of discharge cycles and environmental temperature
	Typical Recharge Time	8 Hours
Physical	Net Weight	8 kg 12 kg
	Dimensions (H x W x D)	21.5 cm x 13 cm x 33.6 cm

Battery Replacement

The battery in the Back-UPS 800CI/1100CI is not user-replaceable. Contact SEIT Technical Support for a list of authorized service centers near you.

Warranty

Register your product on-line. <http://warranty.apc.com>

The standard warranty is two (2) years from the date of purchase. SEIT standard procedure is to replace the original unit with a factory reconditioned unit. Customers who must have the original unit back due to the assignment of asset tags and set depreciation schedules must declare such a need at first contact with an SEIT Technical Support representative. SEIT will ship the replacement unit once the defective unit has been received by the repair department, or cross-ship upon the receipt of a valid credit card number. The customer pays for shipping the unit to SEIT. SEIT pays ground freight transportation costs to ship the replacement unit to the customer.

APC by Schneider Electric IT Customer Support Worldwide

For country specific customer support, go to the APC by Schneider Electric Web site, www.apc.com.