

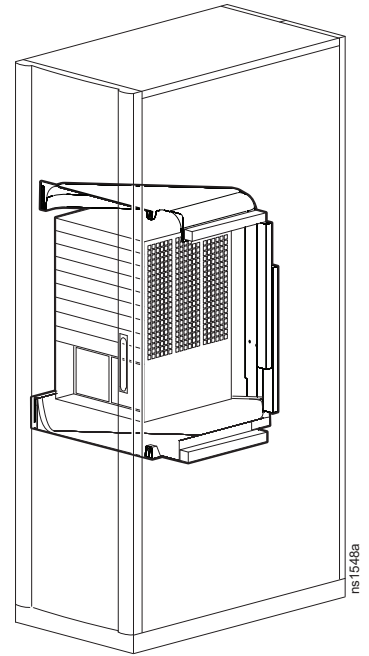


by Schneider Electric

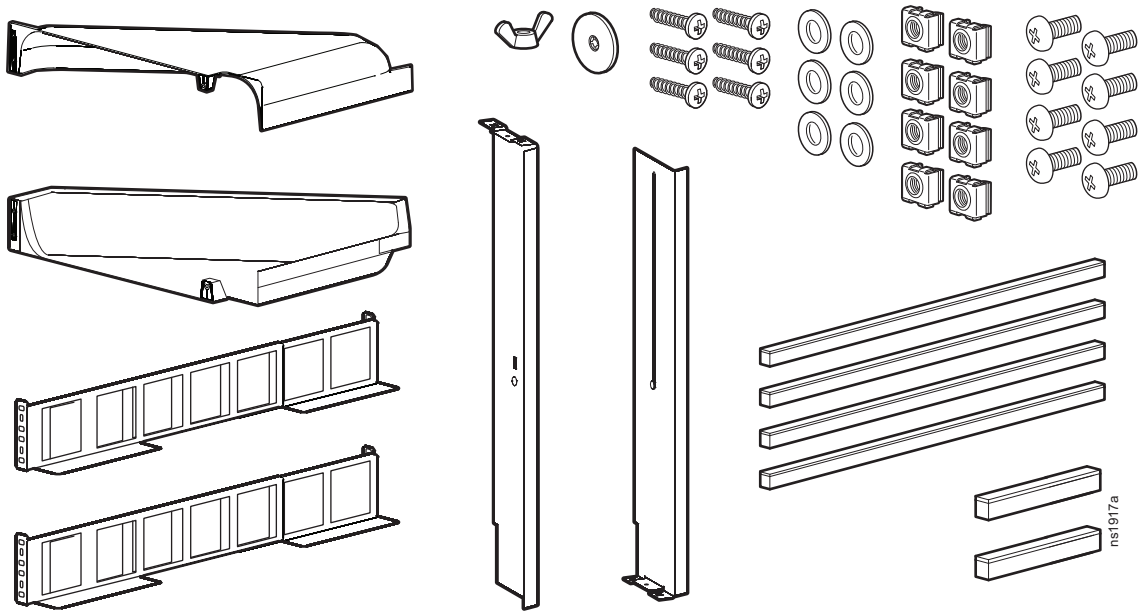
NetShelter™ Side Airflow Duct Kit (AR7715)—Installation

Overview

The NetShelter Side Airflow Duct Kit is intended for use with Cisco® Catalyst 6509, 6509-E, 6513 Switches and Cisco MDS 9513 Multilayer Switches.



Inventory



Tools required (not provided)



Phillips
screwdriver



Cage nut tool

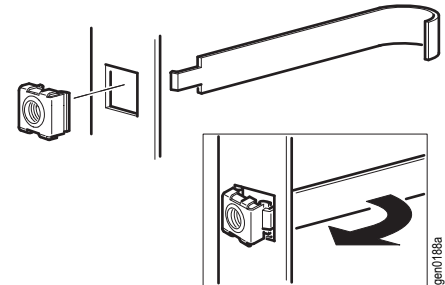
How to install and remove a caged nut

⚠ CAUTION	
FALLING EQUIPMENT To ensure equipment installs securely, install cage nuts with tabs engaging the left and right sides of the square hole. Do NOT install cage nuts with tabs engaging the top and bottom of the square hole. Failure to follow these instructions can result in injury or equipment damage.	

To install a cage nut:

1. From the inside of the enclosure insert the cage nut into the square hole by hooking a tab from one side of the cage nut onto one side of the opening.
2. Place the cage nut tool onto the tab on the opposite side of the cage nut and pull to snap it into position.

To remove a caged nut: Squeeze the tabs together to release.

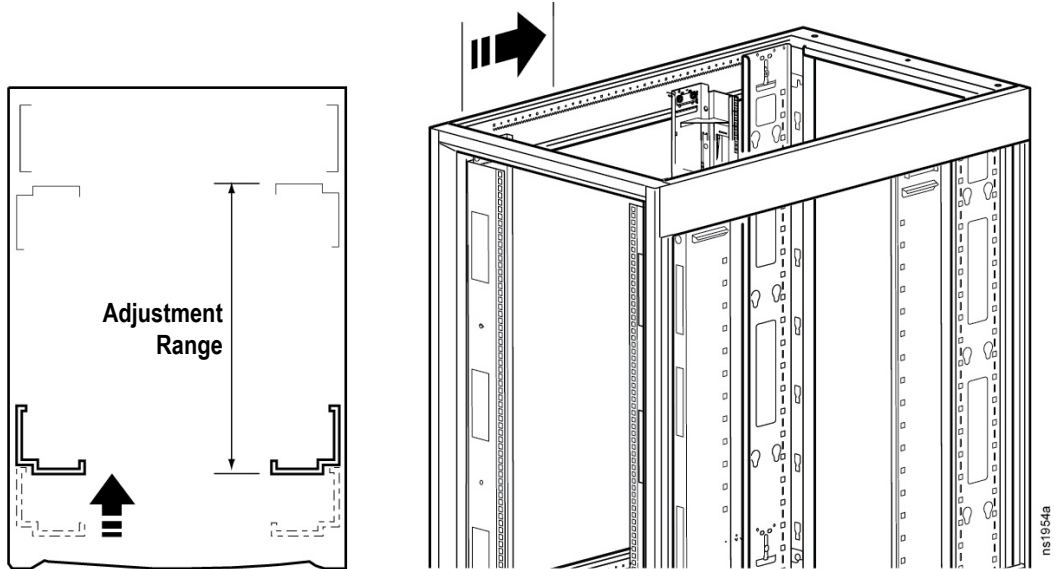


Adjusting the vertical mounting flanges

For **non-networking** enclosures, if needed, adjust the depth of the vertical mounting rails.



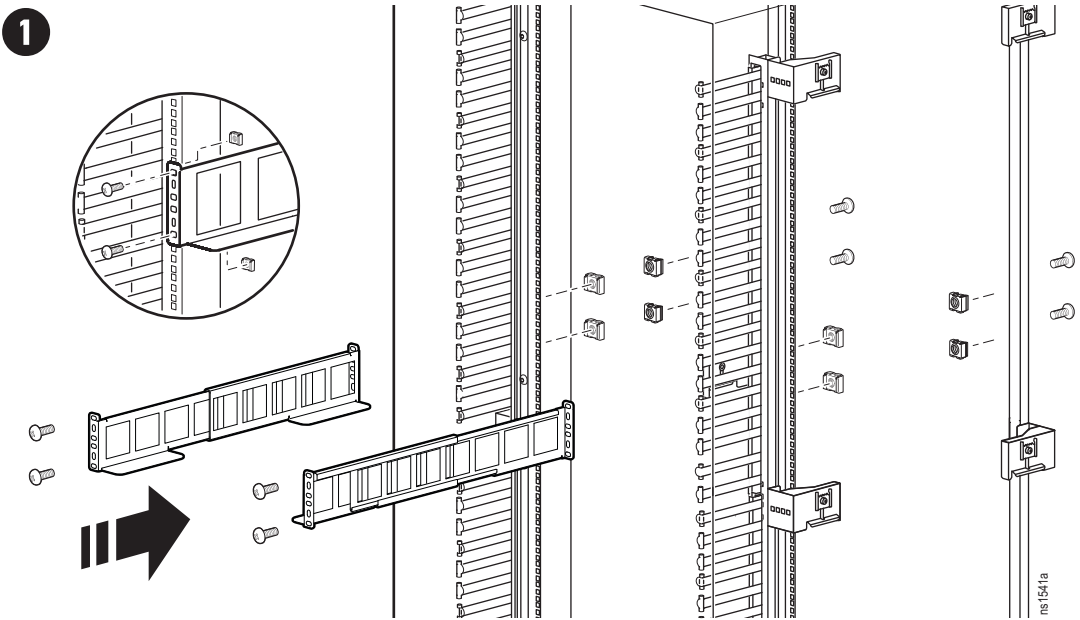
Note: The duct kit rails adjustment range: Min: 470 mm (18.5 in) Max: 737 mm (29.0 in)

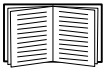


Installing the NetShelter Side Airflow Duct Kit



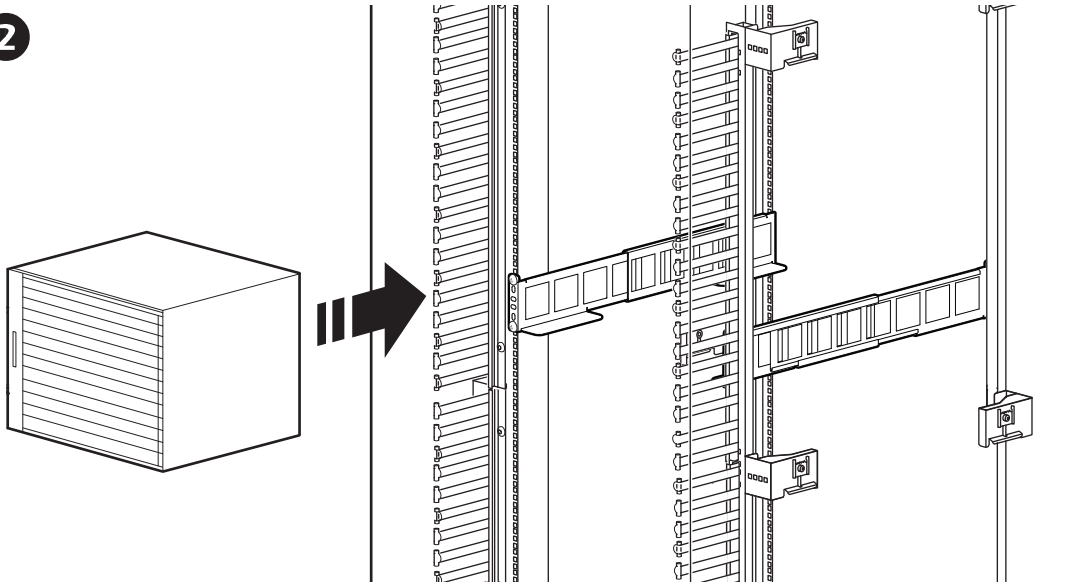
Note: Do not install the shelves provided with your Cisco® switch. The NetShelter Side Airflow Duct Kit is intended for use only with the shelves provided with this kit.



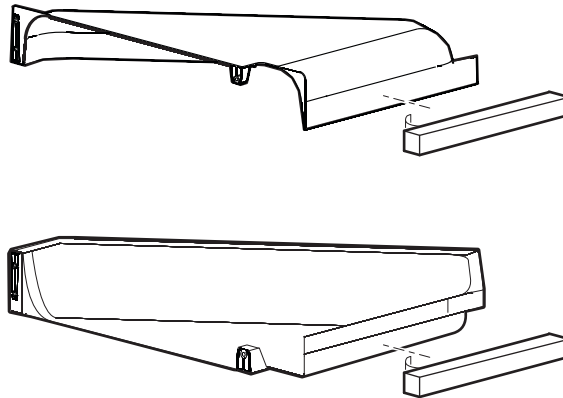


See the documentation that comes with the switch for installation instructions.

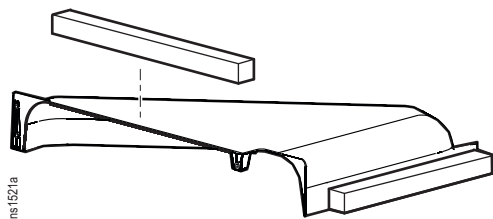
2



3



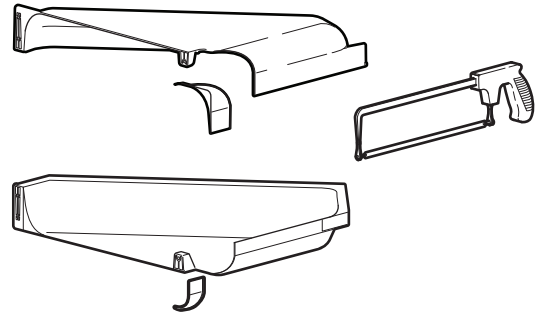
Note: Additional gasket foam may be required on the upper duct during installation for the Cisco Catalyst 6509 Switch.



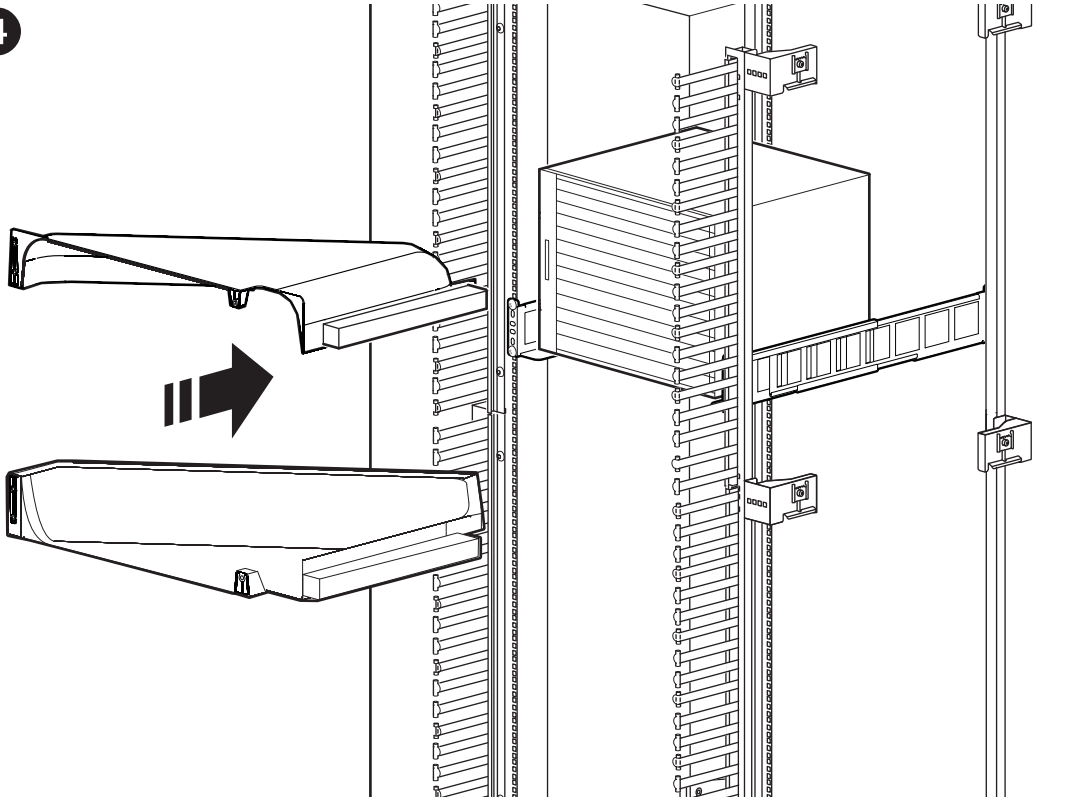


Note: For 750mm wide non-networking enclosures where the u-space mounting rail interferes with the duct installation, the front-right corner of the ducts may need to be removed before installation.

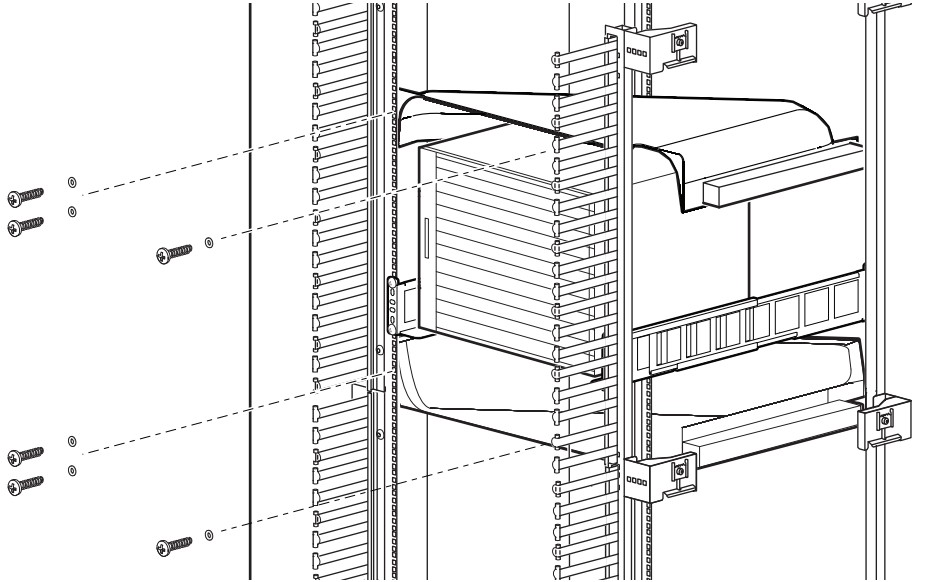
Refer to the marks on the ducts and remove this portion with a hacksaw or other appropriate cutting tool.



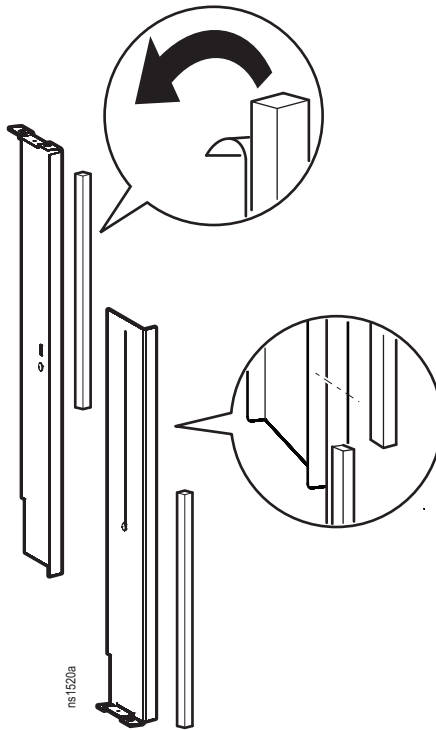
4



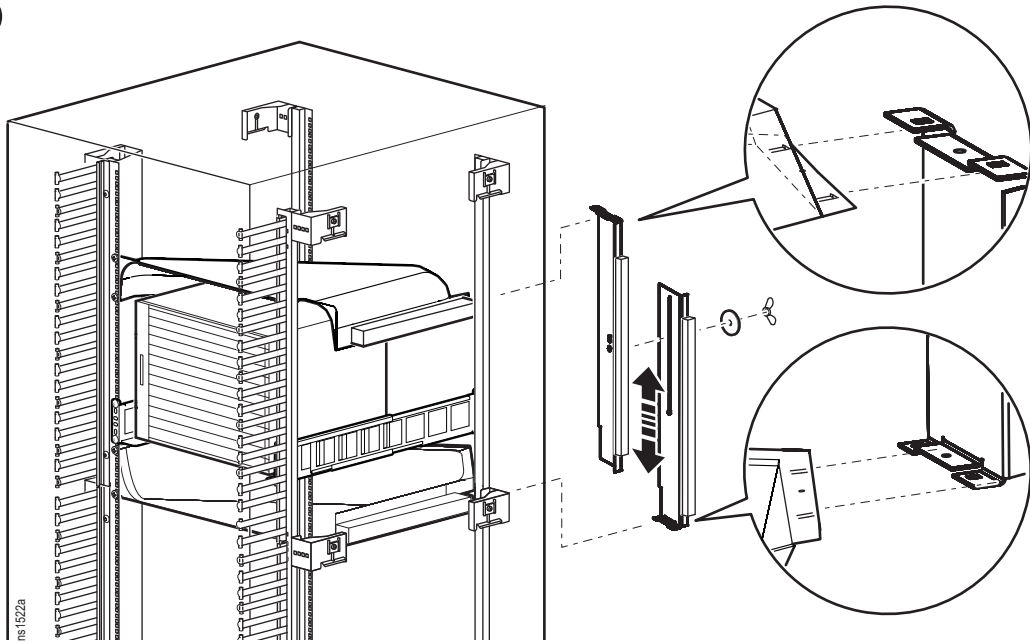
5



6



7





This manual is available in English on the APC Web site (www.apc.com).

Dieses Handbuch ist in Deutsch auf der APC Webseite (www.apc.com) verfügbar.

Este manual está disponible en español en la página web de APC (www.apc.com).

Ce manuel est disponible en français sur le site internet d'APC (www.apc.com).

Questo manuale è disponibile in italiano sul sito web di APC (www.apc.com).

本マニュアル<各国の言語に対応する>は APC ウェブサイト (www.apc.com) からダウンロードできます。

Instrukcja obsługi w języku polskim jest dostępna na stronie internetowej APC (www.apc.com).

Данное руководство на русском языке доступно на сайте APC (www.apc.com)

Bu kullanım klavuzunun Türkçesi APC web sayfasında (www.apc.com) mevcuttur.

在 APC 公司的网站上 (www.apc.com) 有本手册的中文版。

Este manual está disponível em português no site da APC (www.apc.com).

Customer support and warranty information is available at the APC Web site, www.apc.com.

© 2011 APC by Schneider Electric. APC, the APC logo, and NetShelter are owned by Schneider Electric Industries S.A.S., American Power Conversion Corporation, or their affiliated companies. All other trademarks are property of their respective owners.

990-3542A-001
11/2011