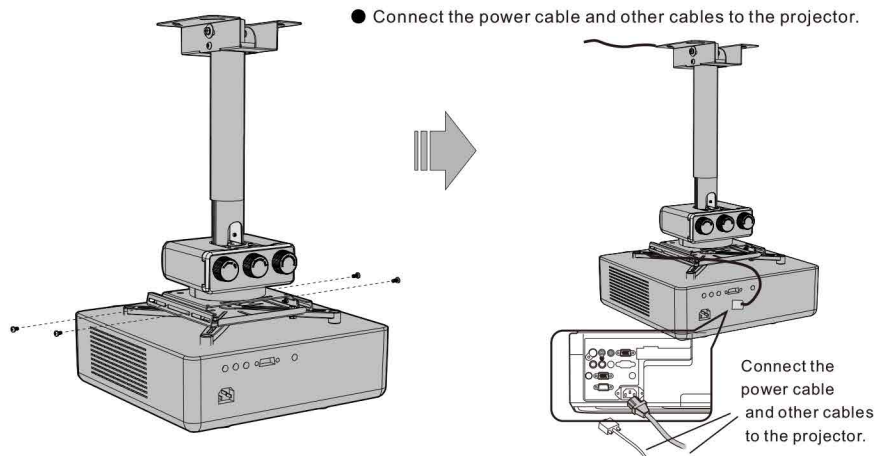
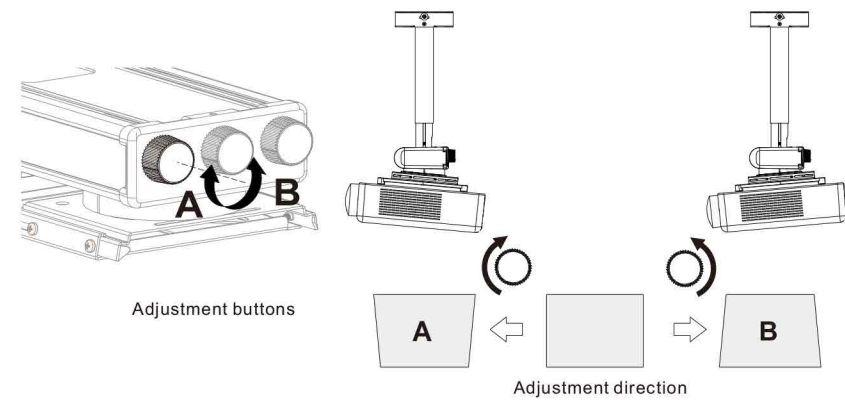


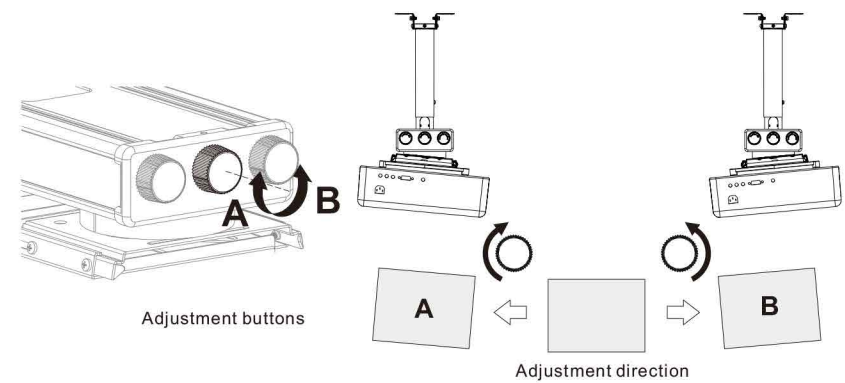
### To Install The Projector On The Projector Ceiling Mount



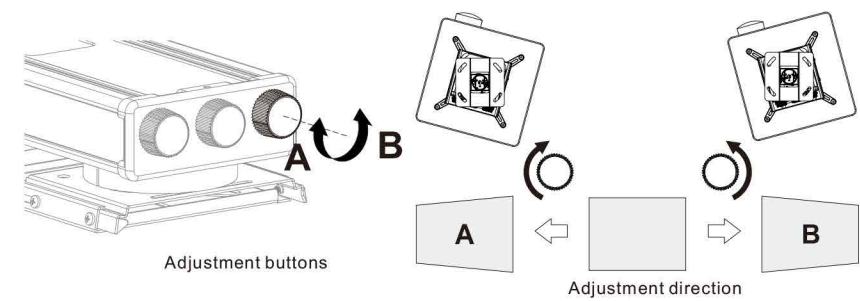
### To Adjust The Vertical Tilt



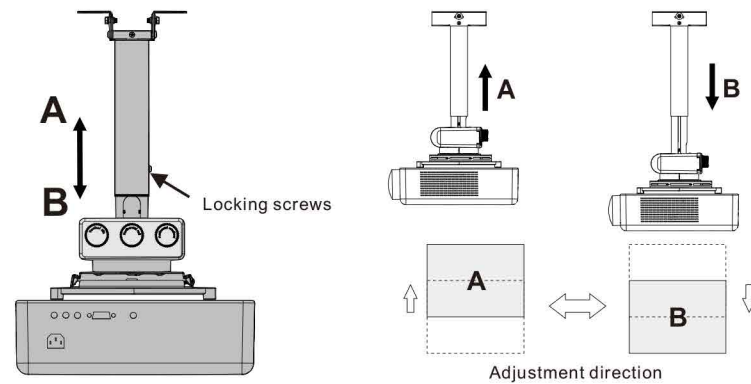
### To Adjust The Horizontal Roll



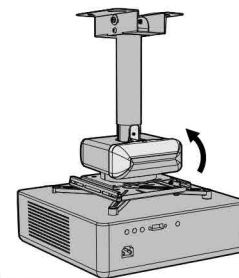
### To Adjust The Horizontal Rotation



### To Adjust The Upward/Downward Slide



### To Put On The Decorative Cover

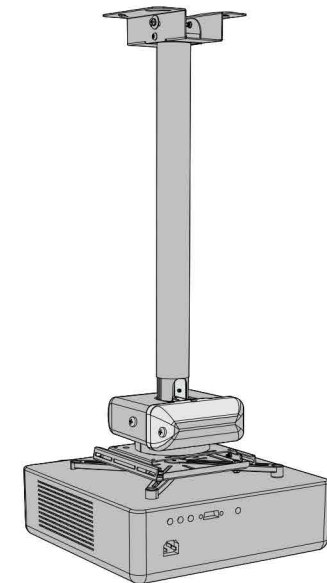


### Product Information :

Net weight: 3.1kg	Rated capacity: 10kg
Adjustable angle: Longitudinal inclination、Level angle、Yaw angle $\pm 5^\circ$ (3 directions)	
Adjustable range: From the installation plate center vertical distance 1605mm $\sim$ 2980mm	



## M Universal Projector Ceiling Mount 1600 - 3000 with finetune

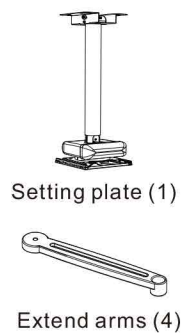


- Be sure to read this manual thoroughly and to do the installation work safely. Keep this manual available for future reference.
- Sufficient expertise is required for installing this projector ceiling mount.
- Do not use the projector ceiling mount for purposes other than for which it is designed.

## Important Safety

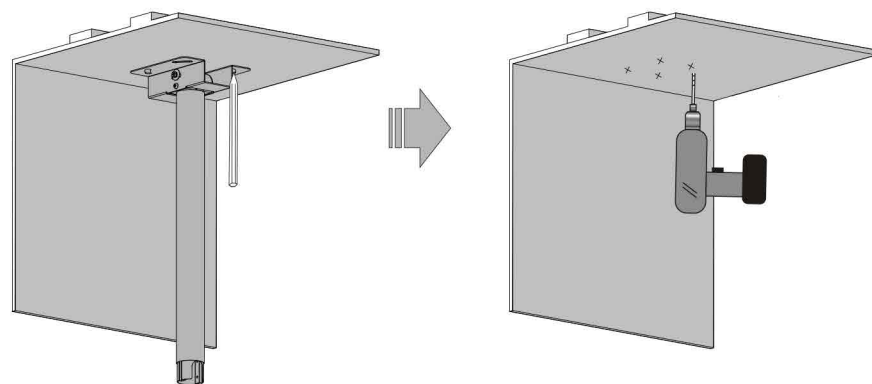
- Be sure to read this manual thoroughly to do the installation work.
  - Only qualified service personnel (two or more) should carry out installation or dismantling of the projector from the projector ceiling mount.
  - Use with products heavier than the maximum weights (Weight Capacity : <10kg) indicated may result in instability causing possible injury.**
  - For safety reasons, check the strength of the ceiling before installation. If the ceiling is not strong enough, reinforce it sufficiently before installation.
  - Do not make alterations to the projector ceiling mount.
  - Do not install the projector ceiling mount on a ceiling subject to vibration or impact.
  - To avoid fire, do not install the projector with the projector ceiling mount in a humid or excessively dusty place.
  - Use the supplied accessories only. Use of accessories other than those supplied may result in damage to the projector ceiling mount.
  - When dismantling the projector from the projector ceiling mount, be sure to unplug the AC power cord and other connecting cables beforehand.
  - Do not hit or hang any heavy objects on the projector ceiling mount. If the projector ceiling mount is damaged, stop use and contact a qualified service person immediately.
  - Please install this apparatus only on the horizontal surface instead of the slanting one.
- \* **Manufacturer is not liable for any damages or injury caused by mishandling or improper installation.**

## Checking The Supplied Accessories



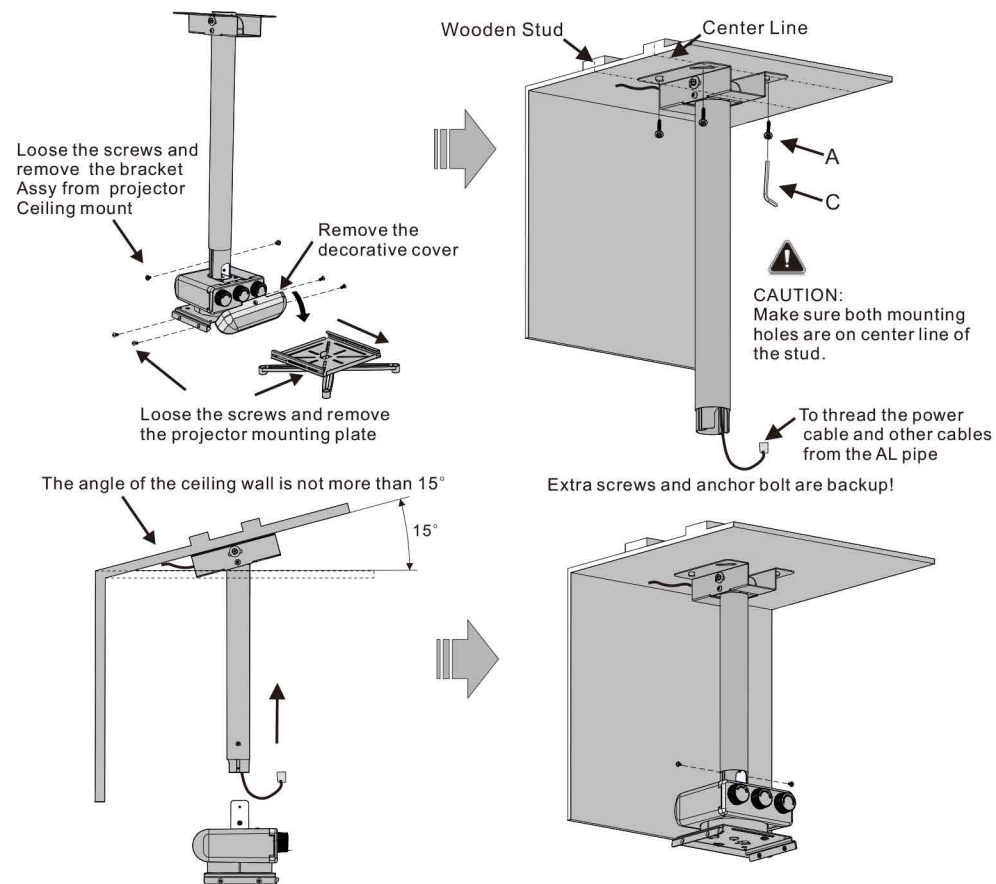
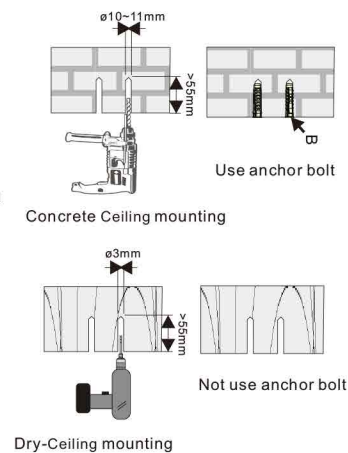
NO	diagrammatic presentation	designation	quantity	NO	diagrammatic presentation	designation	quantity
A		Screw (M6X55)	5	F		Screw (M5X12)	4
B		Φ10mm Anchor bolt	5	G		Screw (M5X25)	4
C		Allen key	1	H		M5 nuts	4
D		Screw (M3X10)	4	I		spacer(8.0)	4
E		Screw (M4X10)	4	J		M6 Connecting screws	4

## To Set The Projector Ceiling Mount On The Ceiling



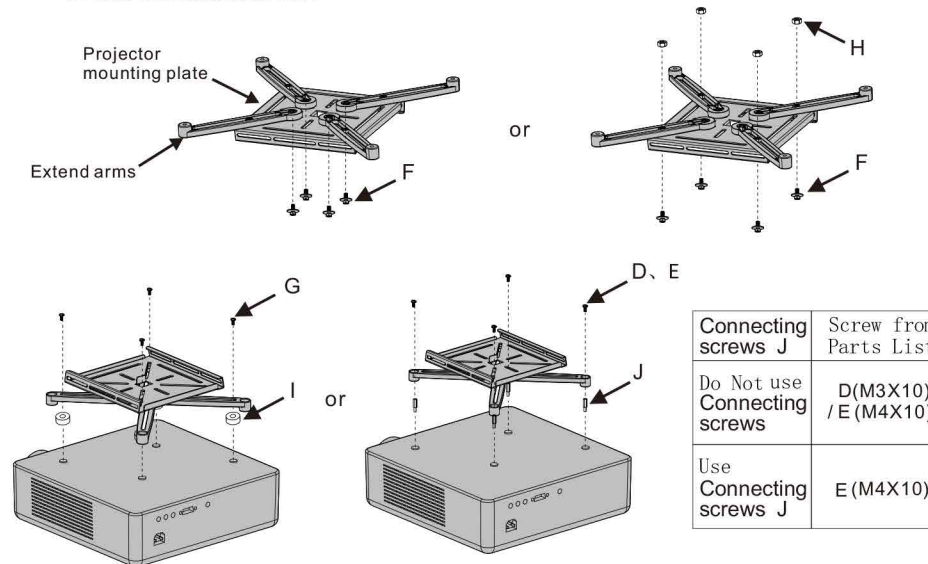
## To Set The Projector Ceiling Mount On The Ceiling

- Concrete ceiling mounting thickness must be a minimum 100mm. Anchor bolt and serew (M6 × 55) are needed to be used for installation.
- Dry- ceiling mounting thickness must be a minimum 70mm. Only serew(M6 × 55) is needed to be used for installation. If the wall is not strong enough, reinforce it sufficiently before installation.
- Please contact manufacturer if you have any questions about mounting surface issue.

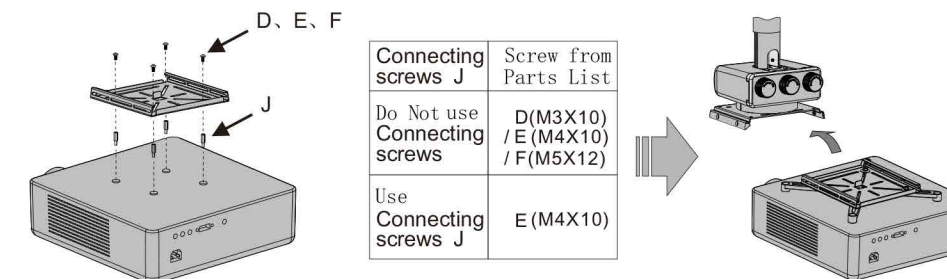


## To Install The Projector On The Projector Ceiling Mount

a. Use the extend arms :



b. Do not use the extend arms :



- Move the projector mounting plate and adjust the forward/backward slide.

