



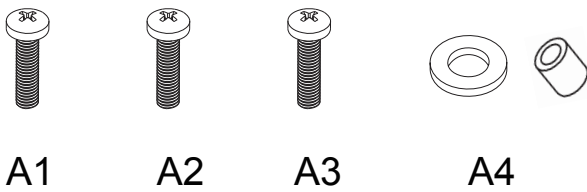
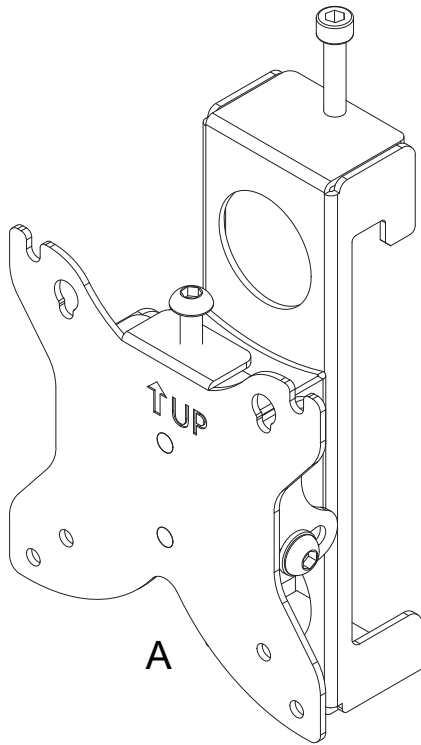
Technical Summary

M Monitor Flex Pro 75/100

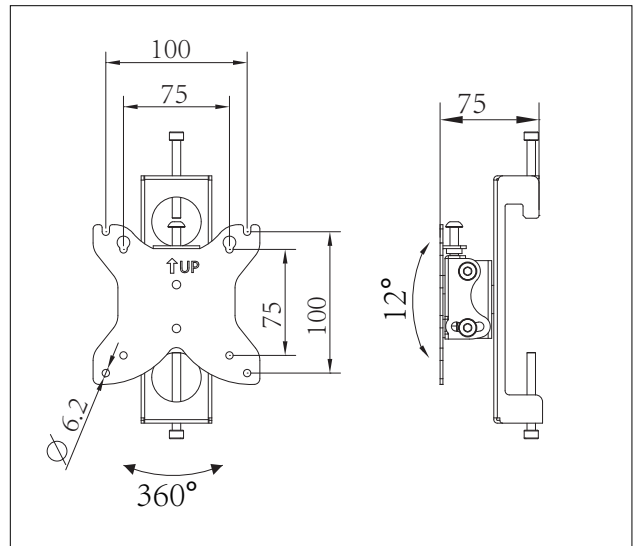
EAN: 7350073736294

COMPONENT CHECKLIST

Item	Name	QTY
A	Monitor Flex Pro 75/100	1
A1	M4x12	4
A2	M4x16	4
A3	M5x16	4
A4	M5 Washer 8x5.5x5 Bushings	4



PRODUCT DIMENSIONS



INSTALLATION INSTRUCTION

1.

2.

3.

5mm

Height adjustment 10mm