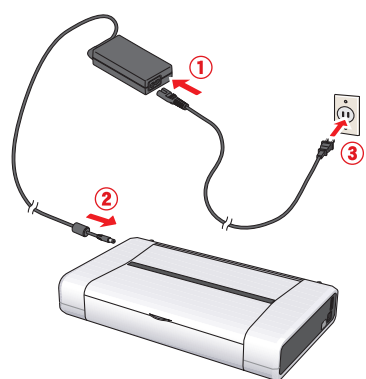




Important
When cleaning the exterior of the printer, use a soft cloth to wipe it gently. For details, refer to "Cleaning Your Printer" in the Quick Start Guide.

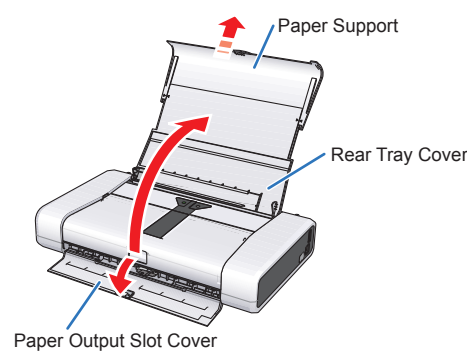
1 Prepare the Printer

- 1** **Unpack the Printer.**
Confirm the included items referring to the illustration printed on the lid of the packing box or "Included Items" in the Quick Start Guide.
A USB cable is necessary to connect the printer with your computer.
- 2** Place the printer on a flat and horizontal surface, and do not place any objects in front of the printer.
Remove all the shipping tapes on the outside of the printer.
- 3** Connect the power cord to the AC adapter. Plug the AC adapter into the printer, and connect the other end of the power cord to the wall outlet.



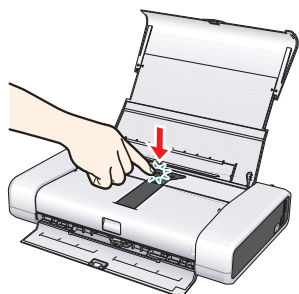
Important
Do NOT connect the USB cable at this stage.

- 4** Open the Rear Tray Cover and pull out the Paper Support completely.



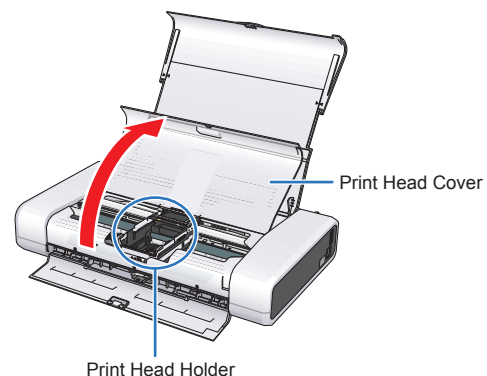
Note
The Paper Output Slot Cover will open automatically.

- 5** Press the **Power** button to turn on the printer.

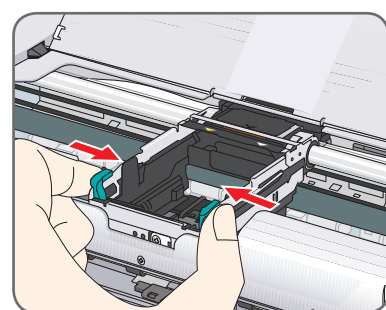


2 Install the Print Head

- 1** Open the Print Head Cover. The Print Head Holder moves to the center.

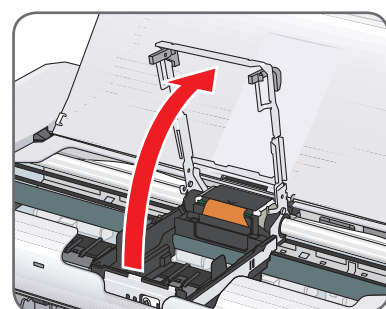


- 2** Unlock the Print Head Lock Lever by squeezing both tabs inward.



Important
• Make sure the printer is turned on and the Power lamp is flashing green.
• Make sure the Print Head Holder has moved to the center.

- 3** Raise the Print Head Lock Lever until it stops.



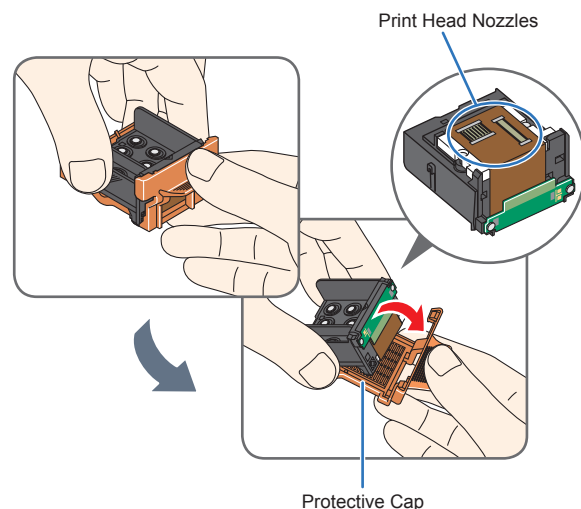
Caution
Do not touch internal parts other than the Print Head Lock Lever.

- 4** Remove the Print Head from its package.



Caution
There may be some transparent or light blue ink on the inside of the bag the print head comes in, or the inside of the protective cap - this has no effect on print quality. Be careful not to get ink on yourself when handling these items.

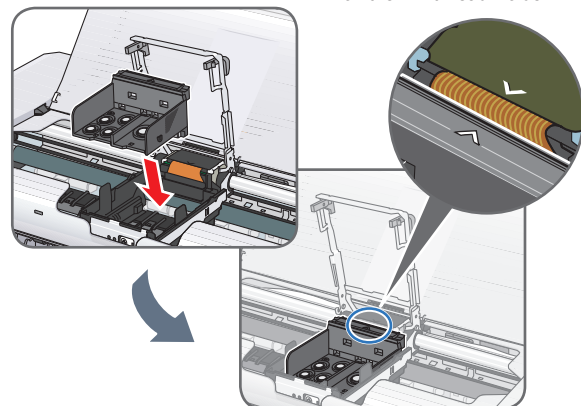
- 5** Remove the orange protective cap from the Print Head and discard it.



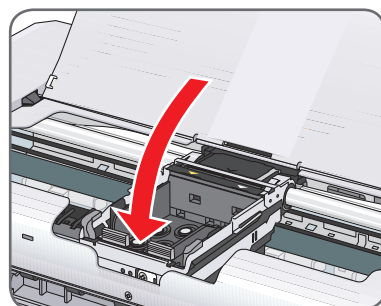
Important
• Do not touch the print head nozzles.
• Do not reattach the protective tape once you have removed it.

- 6** Insert the Print Head.

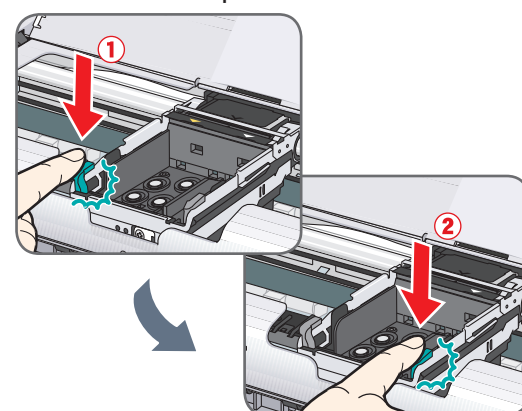
Align the mark on the Print Head with the mark on the Print Head Holder.



- 7** Lower the Print Head Lock Lever carefully.



- 8** Push both tabs in left to right order until each clicks into place.

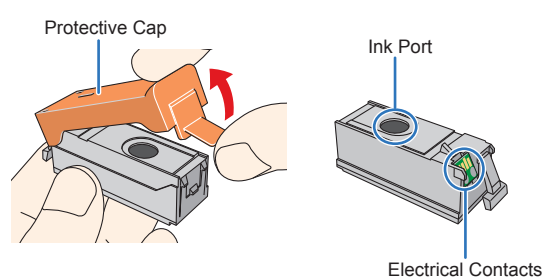


Important
Make sure that the Print Head Lock Lever is firmly locked into the Print Head Holder by pressing both tabs on the Print Head Lock Lever until it clicks.

3 Install the Ink Tanks

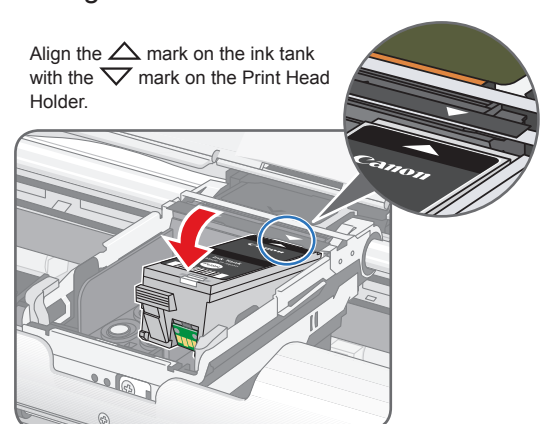
Note
For the ink tanks compatible with this printer, refer to the back cover of the Quick Start Guide.

- 1** Remove the orange protective cap and discard it.

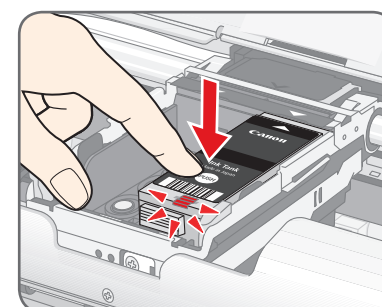


Important
• Do not touch the electrical contacts and the ink port.
• Do not reattach the protective tape once you have removed it.

- 2** Insert the Black ink tank at a slant into the right slot.

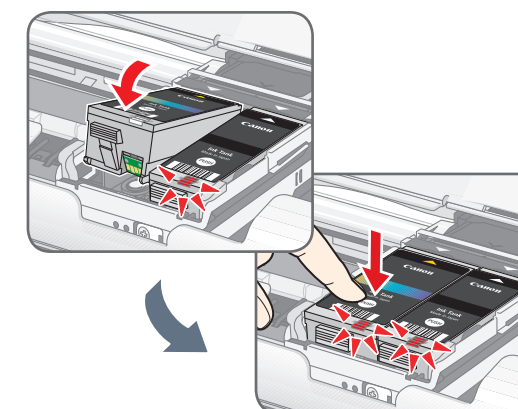


- 3** Press the mark on the ink tank until it clicks into place.

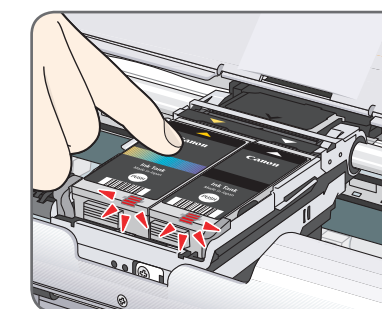
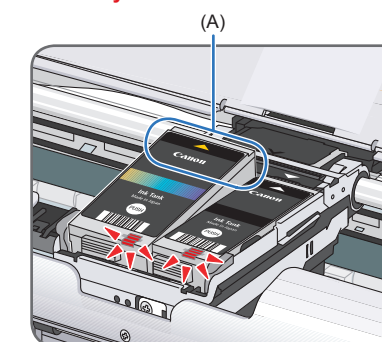


Important
• Make sure that the ink lamp lights red.
• If the ink lamp does not light red after it is inserted, repeat steps 2 and 3.
• If the Print Head Cover is left open for more than 10 minutes, the Print Head Holder moves to the right. Close and reopen the Print Head Cover to return the holder to the center.

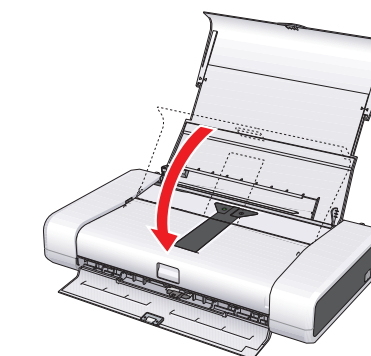
- 4** Similarly, insert the Color ink tank into the left slot.



Important
If the front (innermost) part of the ink tank (A) is sticking up, push down on the Canon logo on the ink tank as illustrated below. Do not remove the ink tank forcibly.



- 5** Close the Print Head Cover.

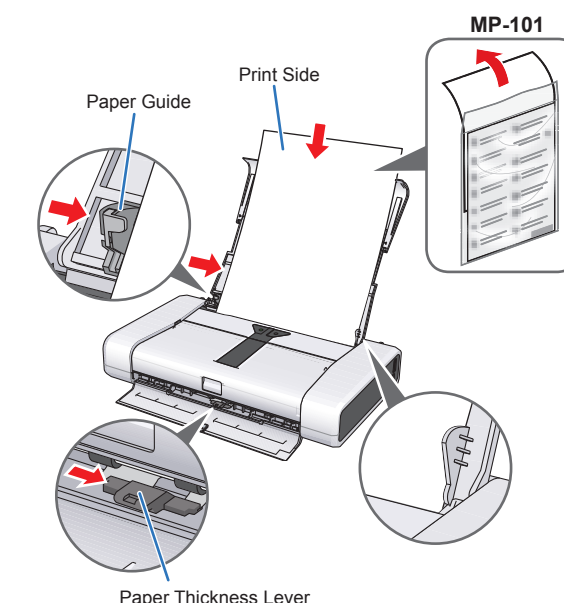


Important
Once you have installed both ink tanks, the Power lamp will flash green. Wait for about 2 minutes, until the Power lamp stops flashing and changes to steady, non-flashing green and the printer has stopped making operating noises, before proceeding.

Note
If the **Alarm** lamp on the printer flashes orange after you have closed the Print Head Cover, refer to "Alarm Lamp Flashes Orange" in "Troubleshooting" of the Quick Start Guide.

4 Load Printing Paper

- 1** Load a sheet of supplied paper (Paper For Print Head Alignment MP-101) loaded with the printing side (whiter side) facing UP in the Rear Tray, align the paper stack against the guide on the right side of the Rear Tray.
Make sure that the Paper Thickness Lever is set to the right.



Hardware setup is now complete.
Next, turn over and install the software.



Windows 5 Software Installation

Note

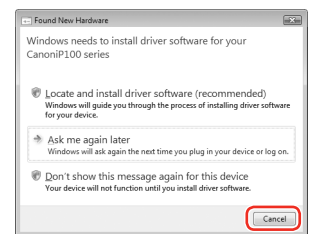
- The screens below refer to Windows Vista™ operating system Ultimate Edition (hereafter referred to as "Windows Vista") installation.
- Screens may vary depending on the operating system you are using.
- Log into a user account with the administrator privilege.
- Do not switch users during the installation process.
- Quit all running applications before installation.
- A message asking for your confirmation to restart your computer may appear during the installation process. If this message is displayed, follow the on-screen instructions and click **OK**.
- The installation resumes from where it left off when your computer has been restarted.
- If the computer is restarted during installation, do not remove the *Setup CD-ROM* during restarting.

1 Be sure to **TURN THE PRINTER OFF** before continuing.

- Press the **Power** button.
- Make sure that the **Power** lamp stops flashing.

2 Turn the computer on and start Windows®.

Important
If the **Found New Hardware** or **Found New Hardware Wizard** screen appears automatically, remove the USB cable connected to your computer. Click **Cancel** to quit the screen. The screen may close automatically when the USB cable is unplugged. Then turn off the printer and proceed from step 3 to install the software. When performing infrared communication, click **Cancel** to quit the screen. Then turn off the printer and proceed from step 3 to install the software.



3 Insert the *Setup CD-ROM*. The setup program should run automatically.

In Windows Vista, go to Step 4. In Windows XP and Windows 2000, go to Step 6.

Note
If installation does not start automatically, refer to "Troubleshooting" instructions in the *Quick Start Guide*.

4 If the **AutoPlay** screen appears, click **Run Msetup4.exe**.

5 If the **User Account Control** screen appears, click **Continue**. If the same screen reappears in subsequent steps, click **Continue**.

6 When the main menu appears, click **Easy Install**.

The printer driver, On-screen Manuals, and application software are installed automatically.



Note
• If you want to select particular items to install, click **Custom Install** and follow the on-screen instructions to proceed the installation.
• To install Adobe® RGB (1998), click **Custom Install** and follow the instruction on the screen.

7 When the list of software to install appears, confirm the contents, click **Install**.

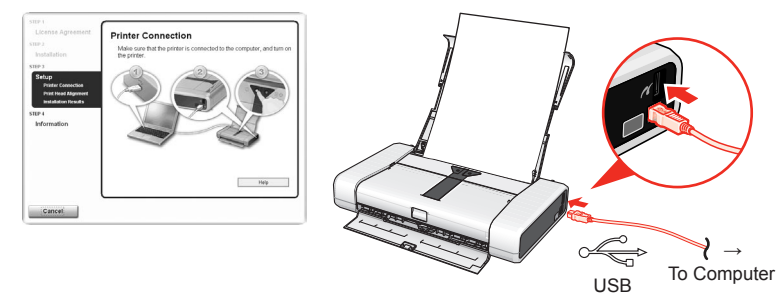
Note
Move the cursor over items to display explanations of each application.

8 Read the License Agreement carefully and click **Yes**. The software installation screen may appear during the installation process. Follow the on-screen instructions to install the software.

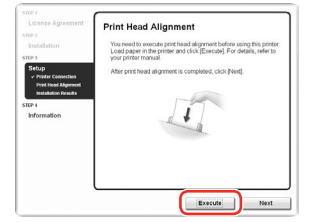
9 When the **Printer Connection** screen appears, connect one end of the USB cable to the computer, the other to the printer, then **TURN THE PRINTER ON**. The printer driver will begin identifying the printer port being used.

When performing infrared communication, make the IrDA port of each other's device stand opposite to each other. Distance between the IrDA ports should be 8 inch (20 cm) or less.

Important
If you cannot go to the next procedure after 2 minutes, refer to "Troubleshooting" instructions in the *Quick Start Guide*.

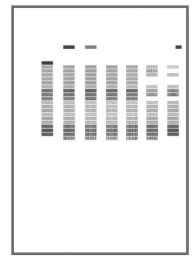


10 When the **Print Head Alignment** screen appears, make sure that a sheet of supplied paper (Paper For Print Head Alignment MP-101) is loaded in the Rear Tray. Click **Execute**, confirm the displayed message and click **Align Print Head**.



Note
• Print Head Alignment will take about 5 minutes to complete. Do not start another operation until the printer has stopped making operating noises.
• Do not open the Print Head Cover while printing.

The pattern is printed, and the Print Head is aligned automatically.




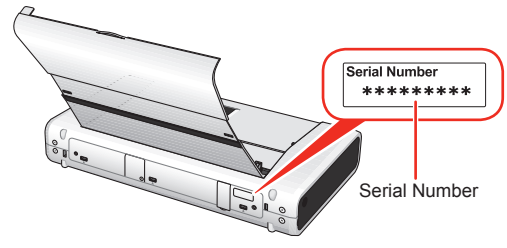
Note
• The pattern is printed in black and blue.
• When Automatic Print Head Alignment cannot be executed properly, the **Alarm** lamp on the printer will flash orange eleven times. Refer to "Alarm Lamp Flashes Orange" in "Troubleshooting" of the *Quick Start Guide*.

11 After print head alignment is completed, click **Next**.

12 When the **Installation Results** screen appears, click **Next**.

13 When the **User Registration** screen appears, click **Next**.

Note
To register later, click **Cancel** and go to Step 14. After software installation is complete, double-click  on the desktop. Follow on-screen instructions to register your product. You will need your product serial number, which is located on the rear of the printer.



14 When the **PIXMA Extended Survey Program** screen appears, confirm the message. We would appreciate it if you would take part in this program regarding the use of Canon printers. If you can agree, click **Agree**.

If **Do not agree** is clicked, the PIXMA Extended Survey Program will not be installed but you can use the printer normally.

15 When the **Installation completed successfully** screen appears, click **Exit**. Remove the *Setup CD-ROM* after clicking **Exit**.

If **Restart** is displayed, make sure that the **Restart the system now (recommended)** check box is selected, then click **Restart**.

Remove the *Setup CD-ROM* after restarting the computer.

Note
Keep the *Setup CD-ROM* in a safe place in case you need to reinstall the software.

Software installation and print head alignment are now complete.

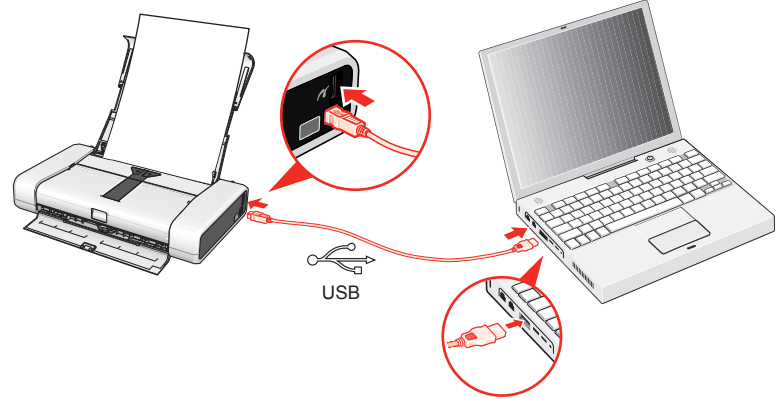
Macintosh 5 Software Installation

Note

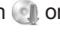
- Since Mac® OS 9, Mac OS X Classic environments, or Mac OS X v.10.3.8 or earlier are not supported, do not connect the printer to these. Use Mac OS X v.10.3.9 or later.
- The screens below refer to Mac OS X v.10.4.x installation. Screens may vary depending on the operating system you are using.
- Log on as an Administrator.
- Quit all running applications before installation.

1 Connect one end of the USB cable to the computer, the other to the printer.

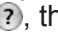
Note
Make sure the printer is turned on.



2 Turn on your Mac and insert the *Setup CD-ROM*.

Note
If the **CD-ROM** folder does not open automatically, double-click the **CD-ROM** icon  on the desktop.

3 Double-click the **Setup** icon.

4 When the **Authenticate** screen appears, enter your administrator name and password. Click **OK**. If you do not know your administrator name or password, click , then follow the on-screen instructions.

5 When the main menu appears, click **Easy Install**.

The printer driver, On-screen Manuals, and application software are installed automatically.



Note
If you want to select particular items to install, click **Custom Install** and follow the on-screen instructions to proceed the installation.

6 When the list of software to install appears, confirm the contents, then click **Install**.

Note
Move the cursor over items to display explanations of each application.

7 Read the License Agreement carefully and click **Yes**. The software installation screen may appear during the installation process. Follow the on-screen instructions to install the software.

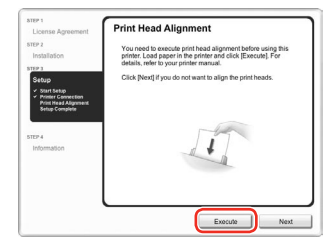
8 When the **Start Setup** screen appears, click **Execute**.

9 When the **Printer Connection** screen appears, confirm the displayed message and click **Restart**.

The system is restarted automatically.

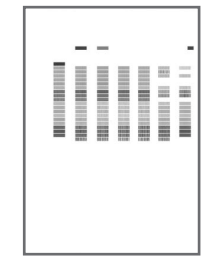
Note
Do not remove the *Setup CD-ROM* while your computer is being restarted.

10 When the **Print Head Alignment** screen appears, make sure that a sheet of supplied paper (Paper For Print Head Alignment MP-101) is loaded in the Rear Tray. Click **Execute**, confirm the displayed message, and click **OK**.



Note
• Print Head Alignment will take about 5 minutes to complete. Do not start another operation until the printer has stopped making operating noises.
• Do not open the Print Head Cover while printing.

The pattern is printed, and the Print Head is aligned automatically.



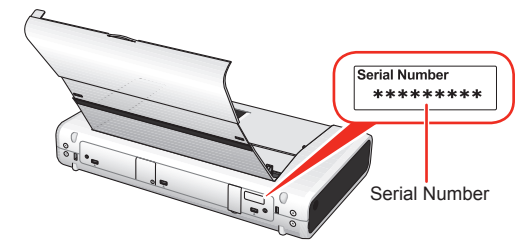
Note
• The pattern is printed in black and blue.
• When Automatic Print Head Alignment cannot be executed properly, the **Alarm** lamp on the printer will flash orange eleven times. Refer to "Alarm Lamp Flashes Orange" in "Troubleshooting" of the *Quick Start Guide*.

11 When the **Setup Complete** screen appears, click **Next**.

12 When the **User Registration** screen appears, click **Next**.

Note
To register later, click **Cancel** and go to Step 13. After software installation is complete, double-click  on the desktop.

Follow on-screen instructions to register your product. You will need your product serial number, which is located on the rear of the printer.



13 When the **Installation completed successfully** screen appears, click **Exit**. Remove the *Setup CD-ROM* after clicking **Exit**.

If **Restart** is displayed, click **Restart**.

Remove the *Setup CD-ROM* after restarting the computer.

Note
Keep the *Setup CD-ROM* in a safe place in case you need to reinstall the software.



Software installation and print head alignment are now complete.