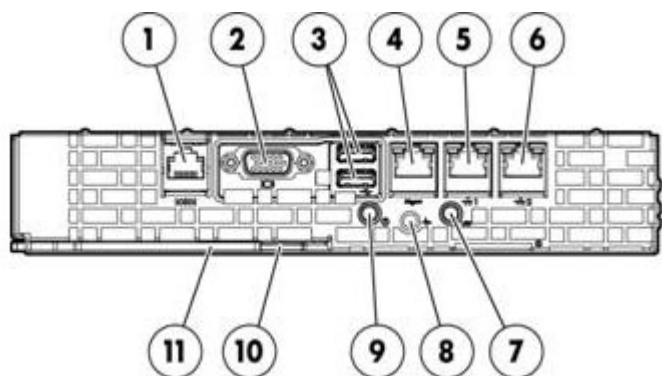


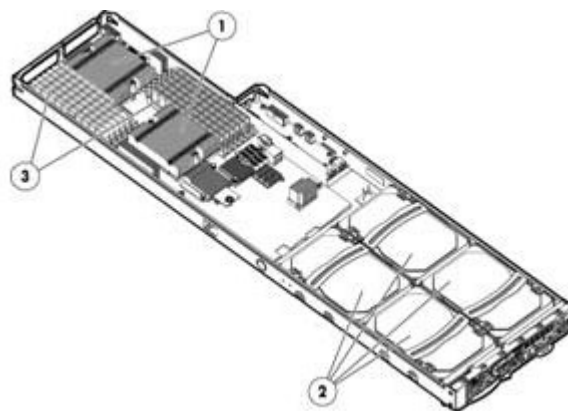
### Overview

The HP ProLiant SL335s G7 Server is the first AMD half-width server node for the HP ProLiant SL6500 Scalable System. The SL335s G7 is an independently serviceable 2P server node using AMD Opteron 4100 series processors with 12 DDR3 DIMM sockets. The SL6500 is the latest family of HP server solutions optimized for scale-out customers to greatly reduce costs, maximize power efficiency, and maintain total flexibility. The SL6500 supports up to eight independent half-width HP ProLiant SL335s G7 Servers in the 4U HP ProLiant s6500 Chassis. The servers share hot-plug power supplies and hot-plug fans, providing greater power and cooling efficiencies while also providing a serviceable, available configuration.



#### Front View:

1. Serial port
2. Video port
3. Two USB ports
4. iLO 3 NIC connector
5. One GbE LAN port with shared management (RJ-45)
6. One GbE LAN port (RJ-45)
7. UID Button
8. Health LED
9. Power Button
10. Release button
11. Ejection lever



#### Top View:

1. Up to Two AMD Opteron™ Processor 4100 series
2. Four 3.5" non-hot plug hard drives using a quick release drive carrier
3. 12 DDR3 DIMM slots

### What's New

- Support for new HP hard drives

### Standard Features

**NOTE:** For the Standard Features shipped in the Factory Integrated Models, please see the "Configuration Information - Factory Integrated Models" section.

**Processor**  
One of the following depending on Model

**Six-Core Processors**

- AMD Opteron™ 4184 (2.80GHz/6-core/6MB/75W) Processor
- AMD Opteron™ 4176HE (2.40GHz/6-core/6MB/50W) Processor
- AMD Opteron™ 4162EE (1.70GHz/6-core/6MB/32W) Processor

**Quad-Core Processor**

- AMD Opteron™ 4130 (2.60GHz/4-core/6MB/75W) Processor

**NOTE:** Up to 2 processors supported. Mixing different processor models is not supported.

**Cache Memory**  
One of the following depending on Model

6MB Shared Level 3 cache

**Chipset**

AMD® SP5100 Chipset

**Upgradeability**

Upgradeable to two processors

**Memory Protection**

Advanced ECC

**Memory**

- |                                   |  |
|-----------------------------------|--|
| Type                              | DDR3 Registered (RDIMM) or Unbuffered (UDIMM)          |
| Maximum (RDIMM) (per server tray) | 192GB (12 x 16GB) for Registered Memory configurations |
| Maximum (UDIMM) (per server tray) | 32GB (8 x 4GB) for Unbuffered Memory configurations    |

**NOTE:** Depending on the memory configuration and processor model, the memory speed may run at 1333MHz, 1066MHz, or 800MHz. Please see the Online Memory Configuration Tool at: [www.hp.com/go/ddr3memory-configurator](http://www.hp.com/go/ddr3memory-configurator).

**NOTE:** Kits described as LP include Low Power DIMMs. For more information on ProLiant Energy Efficient Features, see: [www.hp.com/go/proliant-energy-efficient](http://www.hp.com/go/proliant-energy-efficient).

**Network Controller**

HP NC362i Integrated Dual Port Gigabit Server Adapter

**Expansion Slot**

PCI slot is available as an internal PCI slot only for Smart Array Controllers

Expansion Slot #	Technology	Bus Width*	Connector Width	Form Factor	Notes
1	PCI-Express 2.0	x16	x16	Low Profile	3.3 volts

\* Indicates the number of physical electrical lanes running to the connector.



### Standard Features

<b>Storage Controller</b>	HP Embedded Smart Array B110i SATA RAID Controller (RAID 0, 1, 10) per server node <b>NOTE:</b> To enable RAID on Embedded SATA, use the HP Smart Array B110i SATA Raid controller, To enable use of the B110i, enter the ROM based setup utility(RBSU). The option for enabling RAID can be found in the advanced section of the RBSU. For additional details <a href="http://www.hp.com/go/SATARAID">www.hp.com/go/SATARAID</a> <b>NOTE:</b> Transfer rate: 3.0 Gb/s SATA. <b>NOTE:</b> A HP Smart Array controller is required for SAS Hard Drives <b>NOTE:</b> A HP Smart Array controller is required for any HP hard drive exceeding 2.2 TB. <b>NOTE:</b> An external diskette drive, USB floppy drive key or virtual FDD using LO100 Advanced Pack is needed to install storage controller drivers during a Windows operating system installation from a CD.
---------------------------	--

<b>Internal Storage Devices</b>	Diskette Drives	Via USB only
	Optical Drives	DVD / CD drives via USB only External support only.
	Hard Drives	None ship standard Support for up to four 3.5" or eight 2.5" non-hot plug hard drives using a quick release drive carrier

<b>Maximum Internal Storage</b>	Non-Hot Plug SATA 3.5"	12.0 TB	4 x 3TB
	Non-Hot Plug SAS 3.5"	8.0TB	4 x 2TB
	Non-Hot Plug SATA 2.5"	8.0TB	8 x 1TB
	Non-Hot Plug SAS 2.5"	2.4TB	8 x 300GB
	Non-Hot Plug SATA SSD 2.5"	3.2TB	8 x 400GB

<b>Interfaces</b>	Serial (RJ-45)	1
	Parallel	None
	Network RJ-45	Two 10/100/1000 NIC ports
	Graphics	1
	Management	1 Dedicated iLO3 Management Port
	Health LED	1 front
	Power	1 front
	UID	1 front
	USB	2 (two front)



### Standard Features

Industry Standard Compliance	ACPI 2.0b Compliant
	PCI 2.2 Compliant
	WOL Support
	Microsoft® Logo certifications
	PXE Support
	USB 1.1 and 2.0 Compliant
SMBIOS 2.6.1	

---

Graphics	ATI RN50/ES1000 w/ 64MB memory
----------	--------------------------------

---

---

HP Common Slot Power Supplies	HP has a new design for ProLiant power. The new Common Slot Power Supply provides the customer with commonality in power supplies across multiple platforms to save on the cost of spares and allows HP to offer multiple power solutions to fit the customers' needs. Many HP ProLiant Servers come with or compatible with high-efficiency HP CS Power Supplies. These power supplies are designed for highest efficiency to provide power efficiency without degrading performance of the ProLiant server. HP CS Power Supplies options for this server will have efficiency ratings up to 94%. There are several power options available, depending on the configuration of your server. To make sure you select the correct power supply to meet your configuration, we suggest that you use the HP Power Advisor to decide the "Right-Size" for your configuration. All HP Common Slot power sources are UL, CE Mark Compliant, Hot Plug and Redundant (redundancy dependent on node configurations).
-------------------------------	---

---

---

System Fans	Non redundant model - 8 fans required Redundant model - redundant fan kit required
-------------	---

---

---

Operating Systems and Virtualization Software Support for ProLiant Servers	<a href="#">Microsoft Windows Server</a> <a href="#">Red Hat Enterprise Linux (RHEL)</a> <a href="#">SUSE Linux Enterprise Server (SLES)</a> <b>NOTE:</b> For more information on HP's Certified and Supported ProLiant Servers for OS and Virtualization Software and latest listing of software drivers available for your server including how to purchase from HP, please visit our OS Support Site at: <a href="http://www.hp.com/go/ossupport">http://www.hp.com/go/ossupport</a>
--	--

---

---

Form Factor	HP ProLiant s6500 Chassis - 4U HP ProLiant SL335s G7 1U half width server tray
-------------	---

---

---

UPS and PDU Power Cord Matrix	Please see the UPS and PDU cable matrix's on the HP Power Protection and Management page. Under Power Cords, click on the "HP Power Cord Matrix" link. That link will list cable descriptions, requirements, and specifications for UPS and PDU units. Please see the following link: <a href="http://www.hp.com/products/powercords">www.hp.com/products/powercords</a> .
-------------------------------	---

---



### Standard Features

#### HP Insight management software

HP Insight Foundation

HP provides management solutions that are designed to simplify a server's installation, configuration and maintenance throughout the entire server lifecycle. This provides the customer with higher levels of operational efficiency and highly reliable systems: [www.hp.com/go/foundation](http://www.hp.com/go/foundation).

The foundation pack includes:

- HP SmartStart
- HP Management DVD
- HP ProLiant Smart Update Firmware DVD

SmartStart version supported (minimum): SmartStart 8.60.

<http://www.hp.com/servers/smartstart>

**NOTE:** In an effort to support reducing our environmental impact, the HP Insight Foundation Suite for ProLiant media will be available as a selectable option for this server at time of order of a CTO SKU. This will allow customers to order the number of media kits that best meet their needs and eliminate receiving unnecessary duplicate media.

#### HP Integrated Lights-Out 3 (iLO 3)

HP Integrated Lights-Out 3 (iLO) simplifies server setup, health monitoring, power and thermal control, and lights-out remote administration of select ProLiant ML, DL, BL, and SL servers. HP iLO functions without additional software and can be accessed from any location via a web browser. Along with the iLO Standard features, the licensed features of HP iLO Advanced allows you to fully diagnose server problems without ever leaving your desk. With a full graphical view of your server, automatic video recording, and team collaboration capabilities, iLO Advanced eliminates unnecessary travel expenses and accelerates recovery from unplanned server outages. HP iLO Advanced also works hand-in-hand with HP Systems Insight Manager, Insight Control suites, and Insight Dynamics for ProLiant, helping customers unleash the value of the ProLiant platform and deliver the highest possible quality of IT service. For more information on iLO standard and iLO Advanced visit: [www.hp.com/go/iLO](http://www.hp.com/go/iLO)

---

#### Security

Power-on password

Keyboard password

QuickLock, Network Server Mode

Serial interface control

Administrator's password

iLO 3 (Integrated Lights-Out 3) has 12 customizable user accounts and SSL encryption

iLO 3 can be disabled via a Global Setting

iLO Advanced supports directory services integration

---



### Standard Features

#### Warranty

This product is covered by a global limited warranty and supported by HP Services and a worldwide network of HP Authorized Channel Partners. Hardware diagnostic support and repair is available for one year from date of purchase. Support for software and initial setup is available for 90 days from date of purchase. Enhancements to warranty services are available through HP Care Pack services or customized service agreements. Hard drives have either a one year or three year warranty.

**NOTE:** Americas and EMEA Server Warranty includes 1 year Parts, 1 year Labor, 1-year on-site support with next business day response. APJ Server Warranty includes 3 year Parts, 3 year Labor, 3-year on-site support with next business day response. Warranty repairs may be accomplished through the use of Customer Self Repair (CSR) parts. These parts fall into two categories: 1) Mandatory CSR parts are designed for easy replacement. A travel and labor charge will result when customers decline to replace a Mandatory CSR part; 2) Optional CSR parts are also designed for easy replacement but may involve added complexity. Customers may choose to have HP replace Optional CSR parts at no charge. Additional information regarding worldwide limited warranty and technical support is available at: <http://h18004.www1.hp.com/products/servers/platforms/warranty/index.html>.



### Optional Features

#### HP Insight management software

#### HP Insight Control

HP Insight Control, a product option, delivers essential infrastructure management that can help save time and money by making it easy to deploy, migrate, monitor, remote control, and optimize your IT infrastructure through a single, simple management console.

Two versions of Insight Control are available, to serve environments requiring either a Linux-based or a Windows-based central management server: HP Insight Control for Linux, and HP Insight Control. See [www.hp.com/go/insightcontrol](http://www.hp.com/go/insightcontrol)

HP Insight Control includes one year of 24 x 7 HP Software Technical Support and Update Service ensuring rapid access to HP support staff and proactive delivery of software updates. For more information about this service, please visit: <http://www.hp.com/services/insight>.

#### HP Insight Dynamics for ProLiant

HP Insight Dynamics for ProLiant, a product option, is advanced infrastructure management software that enables IT staff to instantly adjust their environments to meet dynamic business demands by provisioning, optimizing and protecting complex infrastructure in minutes. It's a powerful toolkit, integrated-by-design, that accelerates complex technology projects and simplifies daily operations, transforming data center economics. With Insight Dynamics IT professionals can plan capacity and power continuously, balance workloads across physical and virtual resources, and ensure cost-effective high availability. It also enables IT organizations to provision infrastructure consistently and automatically from pools of shared resources using a self-service portal. Resources provisioned can range from a single virtual machine to complex multi-tier environments and their associated physical and virtual resource requirements. In addition to the previous functional benefits, it also provides a cost-effective disaster recovery for physical and virtual environments that works with HP Storage Continuous Access software for both the Enterprise Virtual Array and the XP storage array allowing application environments to be reactivated in minutes with the touch of a button to a remote location.

**NOTE:** For more information, visit: <http://www.hp.com/go/insightdynamics>



### Optional Features

High Performance Clusters	HP Cluster Platforms	HP Cluster Platforms are specifically engineered, factory-integrated large-scale ProLiant clusters optimized for High Performance Computing, with a choice of servers, networks and software. Operating system options include specially priced offerings for Red Hat Enterprise Linux and Novell SLES, as well as Microsoft Windows HPC Server. A Cluster Platform Configurator simplifies ordering. <a href="http://www.hp.com/go/clusters">http://www.hp.com/go/clusters</a>
	HP HPC Interconnects	High Performance Computing (HPC) interconnect technologies are available for this server as part of the HP Cluster Platform portfolio. These high-speed InfiniBand and Gigabit interconnects are fully supported by HP when integrated within an HP cluster. Flexible, validated solutions can be defined with the help of configuration tools. <a href="http://www.hp.com/techservers/clusters/ucp/index.html">http://www.hp.com/techservers/clusters/ucp/index.html</a>
	HP Cluster Management Utility	HP Cluster Management Utility (CMU) is an HP-licensed and HP-supported suite of tools that are used to manage large-scale Linux ProLiant systems. CMU includes software for the centralized provisioning, management and monitoring of nodes. CMU makes the administration of clusters user friendly, efficient, and effective. <a href="http://www.hp.com/go/cmu">http://www.hp.com/go/cmu</a>
	HP HPC Linux Value Pack	HP HPC Linux Value Pack (Value Pack) is an HP-licensed and HP-supported specially priced software bundle for the development and deployment of applications on HPC Cluster Platforms. Value Pack includes the Platform HPC Enterprise Edition suite of tools including the LSF workload scheduler, the HP-MPI parallelization library. Also included are the HP Unified Parallel C compiler and the HP Shmem library, as well as the execution environments for the libraries and compiler. <a href="#">HP HPC Linux Value Pack</a>

### Factory Express Portfolio for Servers and Storage

HP Factory Express offers configuration, customization, integration and deployment services for HP servers and storage products. Customers can choose how their factory solutions are built, tested, integrated, shipped and deployed.

Factory Express offers service packages for simple configuration, racking, installation, complex configuration and design services as well as individual factory services, such as image loading, asset tagging, and custom packaging. HP products supported through Factory Express include a wide array of servers and storage: HP Integrity, HP ProLiant, HP ProLiant Server Blades, HP BladeSystem, HP 9000 servers as well as the MSAxxx, VA7xxx, EVA, XP, rackable tape libraries and configurable network switches.

For more information on Factory Express services for your specific server model please contact your sales representative or go to: <http://www.hp.com/go/factory-express>.

### HP Enterprise Configurator

The HP eConfigure Enterprise Configurator now provides factory default racking for our HP hardware portfolio. This approach is aligned with our strategic direction to meet the needs and expectations of our valued customers. If you require "custom" rack configuration, please contact HP's Customer Business Center or an Authorized Partner for assistance. <http://www.hp.com/products/configurator>





### Service and Support

#### Service and Support

#### **For increased uptime, productivity and ROI - HP Care Pack packaged services for Servers**

These days, you need to get the most out of your server investment - you can't afford not to. When you buy HP server products and solutions, it's also a good time to think about what levels of service and support you may need. To help take the worry out of deploying, designing, maintaining, and managing your environment, we've designed a portfolio of service options that are as: flexible, reliable and scalable as your server. Unlike server-only vendors, we take a holistic approach to your entire environment, bridging storage, servers, blades, software and network infrastructures with our HP Care Pack packaged services for Servers.

#### **Protect your business beyond the warranty**

When it comes to robustness and reliability, standard warranties on today's computing equipment have matured just as the technologies have matured. Good news on some fronts - but also a source of potential problems and subsequent consequences that come from depending on standard warranties alone. Standard warranty protects against product defects and some causes of downtime - but not the business. By using a standard approach to warranty uplifts, such as HP Care Pack Services, you can reduce downtime risks and be more certain of operational consistency for both mission-critical and standard business computing. Simply put, HP Care Pack Services normalize the warranty of combined products - helping you proactively guard against unplanned downtime.

#### **Extending warranties with HP Care Pack Services**

For cost-effective upgrading or extending your standard warranty, HP Care Pack Services offer a suite of standard reactive hardware and software support services that are sold separately, or combined as with our Support Plus and Support Plus 24 services. The portfolio also provides a combination of proactive and reactive services, such as Proactive 24 Service and Critical Service. In addition, with HP Proactive Select we offer an innovative approach to service delivery that gives you the flexibility to acquire the specific proactive services you need today, then add services as your needs evolve. HP Proactive Select offers a broad set of technical or per-event type service options - including server, storage, and network, SAN device, and software, environment, installation and education services. Services that you can mix and match depending on your specific requirements, from preliminary planning and equipment delivery to installation, configuration, integration, and testing, through every level of ongoing support. Our HP Care Pack packaged services for Servers assures help when you need it most. And for many products, post-warranty HP Care Pack Services are available when your original warranty has expired.

#### **HP Server Services: Offering reliability, flexibility and value - just like your storage**

HP Server Services offers a full spectrum of customer care, from technology support to complex migrations to complete completely managed services. HP Factory Express provides customization, integration and deployment services for turnkey solutions. HP Education offers flexible, comprehensive training on server networking and server software to help your IT staff get the most out of your investments. And HP Financial solutions extend innovative financing and asset management programs to cost-effective buy, manage and eventually retire your older equipment.

HP Server Services, the trusted business technology experts who manage your technology in action, because when technology works, business works. <http://www.hp.com/services/servers>, <http://www.hp.com/services/storage>

HP Care Pack Services are sold by HP and HP Authorized Service Partners:

- Services for customers purchasing from HP or an enterprise reseller are quoted using HP order configuration tools.
- Customers purchasing from a commercial reseller can find HP Care Pack Services at: <http://www.hp.com/go/lookuptool>



**NOTE:** Care Pack Services availability may vary by product and country.

---

#### Optimized Care

**Optimized Care Package:** Supports maintaining servers at optimum performance availability

##### **HP ProLiant Server Hardware Installation**

Provides for the basic hardware installation of HP branded servers, storage devices and networking options to assist you in bringing your new hardware into operation in a timely and professional manner  
<http://h20195.www2.hp.com/V2/GetPDF.aspx/5981-9356EN>

##### **HP Installation and Startup for Insight Control Software**

Provides for the deployment and basic configuration of HP Insight Control on HP ProLiant ML and DL series servers or HP BladeSystem servers  
<http://h20195.www2.hp.com/v2/GetPDF.aspx/4AA0-9972ENW.pdf>

##### **3-Year HP Critical Advantage**

Provides end-to-end infrastructure support solution for business critical applications running on virtualized/x86 infrastructures, enabling the customers to cost effectively build, operate, and continuously improve their IT environment  
<http://h20195.www2.hp.com/V2/GetDocument.aspx?docname=4AA3-1772ENW>

**Additional Services:** Data Center Transformation Service

---

#### Standard Care

**Standard Care Package:** Package that maintains high level of server availability

##### **HP ProLiant Server Hardware Installation**

Provides for the basic hardware installation of HP branded servers, storage devices and networking options to assist you in bringing your new hardware into operation in a timely and professional manner  
<http://h20195.www2.hp.com/V2/GetPDF.aspx/5981-9356EN>

##### **HP Installation and Startup for Insight Control Software**

Provides for the deployment and basic configuration of HP Insight Control on HP ProLiant ML and DL series servers or HP BladeSystem servers  
<http://h20195.www2.hp.com/v2/GetPDF.aspx/4AA0-9972ENW.pdf>

##### **3-Year HP 6 hour Hardware Support Onsite Call-to-Repair Service**

Provides an IT manager with a team of support specialists who will quickly begin troubleshooting the system to help return the hardware to operating condition within 6 hours of the initial service request to the HP Global Solution Center  
<http://h20195.www2.hp.com/V2/GetPDF.aspx/5982-6547EN.pdf>

##### **3-Year, HP 24x7 Software Support for Insight Control**

Provides for the deployment and basic configuration of HP Insight Control on HP ProLiant ML and DL series servers or HP BladeSystem servers  
<http://h20195.www2.hp.com/V2/GetPDF.aspx/5981-6645EEE.pdf>

**Additional Services:** Software OS (Microsoft, Linux (SUSE/Red Hat) & VMware Installation & Start Up and Software Support); Microsoft or Linux or VMware education courses; +60 Proactive Select Credits

---



### Service and Support

#### Basic Care

**Basic Care Package:** delivers minimum recommended support service level

##### **HP ProLiant Server Hardware Installation**

Provides for the basic hardware installation of HP branded servers, storage devices and networking options to assist you in bringing your new hardware into operation in a timely and professional manner  
<http://h20195.www2.hp.com/V2/GetPDF.aspx/5981-9356EN>

##### **HP Installation and Startup for Insight Control Software**

Provides for the deployment and basic configuration of HP Insight Control on HP ProLiant ML and DL series servers or HP BladeSystem servers  
<http://h20195.www2.hp.com/v2/GetPDF.aspx/4AA0-9972ENW.pdf>

##### **3-Year HP 24x7 4 hour Response, Hardware Support Onsite Service**

Provides for the deployment and basic configuration of HP Insight Control on HP ProLiant ML and DL series servers or HP BladeSystem servers  
<http://h20195.www2.hp.com/v2/GetPDF.aspx/4AA0-9972ENW.pdf>

##### **3-Year, HP 24x7 Software Support for Insight Control**

Provides for the deployment and basic configuration of HP Insight Control on HP ProLiant ML and DL series servers or HP BladeSystem servers  
<http://h20195.www2.hp.com/V2/GetPDF.aspx/5981-6645EEE.pdf>

**Additional Services:** Software OS (Microsoft, Linux (SUSE/Red Hat) & VMware Installation & Start Up and Software Support); +30 Proactive Select Credits, Factory Express

---

#### Insight Remote Support

The packages include HP Insight Remote Support that uses proven technology to deliver secure, reliable 24x7 remote monitoring, diagnoses, and problem resolution. It is available at no additional cost to all warranty, HP Care Pack Service, and service agreement customers.

---

#### For more information

To learn more on HP ProLiant servers and HP BladeSystem servers, please contact your HP sales representative or HP Authorized Channel Partner. Or visit: <http://www.hp.com/services/proliant>



### Configuration Information - Factory Integrated Models

**NOTE:** This section lists some of the steps required to configure a Factory Integrated Model. To ensure only valid configurations are ordered, HP recommends the use of an HP approved configurator. Contact your local sales representative for information on configurable product offerings and requirements.

**NOTE:** Configure-to-order (CTO) servers must start with a CTO Chassis.

**NOTE:** FIO indicates that this option is only available as a factory installable option.

### Step 1: Base Configuration (choose one from each list unless otherwise noted)

HP Chassis	<p><b>NOTE:</b> If you already have an s6500 chassis skip to Step 1A below.</p> <p>HP ProLiant s6500 w/o Fans 4U Configure-to-order Chassis 614167-B21</p> <p><b>NOTE:</b> You must choose Power Supplies and fans as the chassis does not include them.</p>
HP Chassis Fans	<p>HP s6500 Redundant Fan Kit 617856-B21</p> <p><b>NOTE:</b> This kit includes only 1 fan</p> <p><b>NOTE:</b> This selection must be ordered in quantities of 8.</p> <p>HP s6500 Non-Redundant Fan Kit 617858-B21</p> <p><b>NOTE:</b> This kit includes only 1 fan</p> <p><b>NOTE:</b> This selection must be ordered in quantities of 8.</p>
HP Rail Kits	<p>HP s6500 4U 3rd Party Rail KIT 601946-B21</p> <p>HP s6500 4U Rail KIT 599109-B21</p>
HP Power Supplies	<p><b>NOTE:</b> Prior to making a power supply selection it is highly recommended that the HP Power Advisor is run to determine the right size power supply for your server configuration. The HP Power Advisor is located at: <a href="http://www.hp.com/go/hppoweradvisor">www.hp.com/go/hppoweradvisor</a></p> <p>HP 750W Common Slot Gold Hot Plug Power Supply Kit 512327-B21</p> <p>HP 750W Common Slot Platinum Hot Plug Power Supply Kit 593831-B21</p> <p>HP 1200W Common Slot Silver Hot Plug Power Supply Kit 500172-B21</p> <p>HP 1200W Common Slot Platinum Hot Plug Power Supply Kit 578322-B21</p> <p><b>NOTE:</b> Option Kits contain optional power supply, an IEC power cable and PDU IEC cables.</p>

### Step 2: Choose Required Node Options (only one of the following from each list unless otherwise noted)

HP Memory	<p><b>Registered DIMMs (RDIMMs)</b></p> <p>HP 2GB (1x2GB) Dual Rank x8 PC3-10600 (DDR3-1333) Registered CAS-9 Memory Kit 593907-B21</p> <p>HP 4GB (1x4GB) Single Rank x4 PC3-10600 (DDR3-1333) Registered CAS-9 Memory Kit 652504-B21</p> <p>HP 4GB (1x4GB) Single Rank x4 PC3L-10600 (DDR3-1333) Registered CAS-9 Low Power Memory Kit 604500-B21</p> <p>HP 8GB (1x8GB) Dual Rank x4 PC3-10600 (DDR3-1333) Registered CAS-9 Memory Kit 593913-B21</p> <p>HP 8GB (1x8GB) Dual Rank x4 PC3L-10600 (DDR3-1333) Registered CAS-9 Low Power Memory Kit 604502-B21</p> <p>HP 16GB (1x16GB) Quad Rank x4 PC3-8500 (DDR3-1066) Registered CAS-7 Memory Kit 593915-B21</p>
-----------	--



### Configuration Information - Factory Integrated Models

HP 16GB (1x16GB) Dual Rank x4 PC3L-10600 (DDR3-1333) Registered CAS-9 LP Memory Kit 627808-B21

**Unbuffered with ECC DIMMs (UDIMMs)**

HP 2GB (1x2GB) Dual Rank x8 PC3-10600 (DDR3-1333) Unbuffered CAS-9 Memory Kit 593921-B21

HP 4GB (1x4GB) Dual Rank x8 PC3-10600 (DDR3-1333) Unbuffered CAS-9 Memory Kit 593923-B21

**NOTE:** All DDR3 memory option kits consist of one DIMM per kit. For detailed memory configuration rules and guidelines, please use the Online DDR3 Memory Configuration Tool: [www.hp.com/go/ddr3memory-configurator](http://www.hp.com/go/ddr3memory-configurator).

**NOTE:** Kits described as LP include Low Power DIMMs. For more information on ProLiant Energy Efficient Features, see: <http://www.hp.com/go/proliant-energy-efficient>

**NOTE:** There is a maximum support limitation of 8 ranks per memory channel (maximum of 1 quad rank DIMM and 2 dual rank DIMMs per channel)

**NOTE:** PC3L is a low voltage memory.

### Step 3: Choose Additional Factory Integratable Options (only one of the following from each list unless otherwise noted)

HP Storage Controllers	<p><b>NOTE:</b> To support HP hard drives exceeding 2.2 TB, a HP Smart Array controller is required.</p> <p>HP Smart Array P212/256 BBWC 1-ports Int/1-ports Ext PCIe x8 FIO SAS Controller 491191-B21</p> <p><b>NOTE:</b> HP s6500 HW Internal PCIe Riser Cage Kit (604851-B21), HP SAS/PWR Cable P212 Half Width Kit (658608-B21) and HP s6500 BBWC Mounting Kit (610684-B21) are required when adding SAS hard drives using the P212 controller with BBWC.</p> <p>HP Smart Array P410/ZM 2-ports Int PCIe x8 FIO SAS Controller 462860-B21</p> <p><b>NOTE:</b> HP s6500 HW Internal PCIe Riser Cage Kit (604851-B21), HP s6500 SAS Enablement Kit (610682-B21) is required when adding SAS hard drives using the P410 controller.</p> <p>HP Smart Array P410/256 BBWC 2-ports Int PCIe x8 FIO SAS Controller 491195-B21</p> <p><b>NOTE:</b> HP s6500 HW Internal PCIe Riser Cage Kit (604851-B21), HP s6500 SAS Enablement Kit (610682-B21) and HP s6500 BBWC Mounting Kit (610684-B21) are required when adding SAS hard drives using the P410 controller with BBWC.</p> <p><b>NOTE:</b> For additional Storage Controller options refer to the Additional Options section of this QuickSpecs. Only FIO options are displayed here.</p>
------------------------	---

### Step 4: Choose Additional Options for Factory Integration

**NOTE:** For additional options, please refer to the "Core Options" and "Additional Options" section below.



### Core Options

**NOTE:** Some options may not be integrated at the factory. To ensure only valid configurations are ordered, HP recommends the use of an HP approved configurator. Contact your local sales representative for additional information.

<b>HP Unique Options</b>	<p>HP s6500 Half-width Tray Node Blank Kit <span style="float: right;">622372-B21</span>  <b>NOTE:</b> Node blank is needed when removing half width tray for service.  <b>NOTE:</b> Node blank is needed when not completely filling s6500 chassis.  <b>NOTE:</b> 1 node blank kit is needed for every 1U half width space left in chassis.</p> <p>HP s6500 Redundant Fan Kit <span style="float: right;">617856-B21</span>  <b>NOTE:</b> It is required that the entire chassis be filled with fans - Part number only contains 1 fan, 8 must be purchased.</p> <p>HP s6500 Non-Redundant Fan Kit <span style="float: right;">617858-B21</span>  <b>NOTE:</b> It is required that the entire chassis be filled with fans - Part number only contains 1 fan, 8 must be purchased.</p> <p>HP s6500 Chassis Handles Kit <span style="float: right;">608477-B21</span></p> <p>HP s6500 BBWC Mounting Kit <span style="float: right;">610684-B21</span>  <b>NOTE:</b> This kit must be included if ordering any BBWC option for the Smart Array Controller.</p> <p>HP s6500 SAS Enablement Kit <span style="float: right;">610682-B21</span>  <b>NOTE:</b> This kit provides the cable for connecting the Smart Array P410 Controller to the system board.</p> <p>HP P212 Half Width SAS Power Cable Kit <span style="float: right;">658608-B21</span>  <b>NOTE:</b> This kit provides the cable for connecting the Smart Array P212 Controller to the system board.</p> <p>HP s6500 SFF Enablement Kit <span style="float: right;">607247-B21</span>  <b>NOTE:</b> This kit includes the hardware that holds the stacked SFF HDDs and power cables and is required when ordering SFF HDDs. Order one kit for every two SFF HDDs.</p> <p>HP SL335s 5 and 6 Small Form Factor (SFF) Hard Drive Enablement Kit <span style="float: right;">658097-B21</span>  <b>NOTE:</b> This kit includes the cables for attaching the 5th and 6th SATA SFF HDDs. This kit is not needed if only attaching up to 4 SATA SFF HDDs.</p> <p>HP s6500 4U 3rd Party Rail KIT <span style="float: right;">601946-B21</span></p> <p>HP s6500 4U Rail KIT <span style="float: right;">599109-B21</span></p>
--------------------------	---

### HP Processors

#### Six-Core Processors

HP SL335s AMD Opteron™ 4184 (2.80GHz/6-core/6MB/75W) Processor Kit	631645-B21
HP SL335s AMD Opteron™ 4176HE (2.40GHz/6-core/6MB/50W) Processor Kit	631643-B21
HP SL335s AMD Opteron™ 4162EE (1.70GHz/6-core/6MB/32W) Processor Kit	614043-B21

#### Quad-Core Processors

HP SL335s AMD Opteron™ 4130 (2.60GHz/4-core/6MB/75W) Processor Kit	629223-B21
--	------------



### Core Options

#### HP Memory

##### Registered DIMMs (RDIMMs)

HP 2GB (1x2GB) Dual Rank x8 PC3-10600 (DDR3-1333) Registered CAS-9 Memory Kit	593907-B21
HP 4GB (1x4GB) Single Rank x4 PC3-10600 (DDR3-1333) Registered CAS-9 Memory Kit	652504-B21
HP 4GB (1x4GB) Single Rank x4 PC3L-10600 (DDR3-1333) Registered CAS-9 Low Power Memory Kit	604500-B21
HP 8GB (1x8GB) Dual Rank x4 PC3-10600 (DDR3-1333) Registered CAS-9 Memory Kit	593913-B21
HP 8GB (1x8GB) Dual Rank x4 PC3L-10600 (DDR3-1333) Registered CAS-9 Low Power Memory Kit	604502-B21
HP 16GB (1x16GB) Quad Rank x4 PC3-8500 (DDR3-1066) Registered CAS-7 Memory Kit	593915-B21
HP 16GB (1x16GB) Dual Rank x4 PC3L-10600 (DDR3-1333) Registered CAS-9 LP Memory Kit	627808-B21

##### Unbuffered with ECC DIMMs (UDIMMs)

HP 2GB (1x2GB) Dual Rank x8 PC3-10600 (DDR3-1333) Unbuffered CAS-9 Memory Kit	593921-B21
HP 4GB (1x4GB) Dual Rank x8 PC3-10600 (DDR3-1333) Unbuffered CAS-9 Memory Kit	593923-B21

**NOTE:** All DDR3 memory option kits consist of one DIMM per kit. For detailed memory configuration rules and guidelines, please use the Online DDR3 Memory Configuration Tool: [www.hp.com/go/ddr3memory-configurator](http://www.hp.com/go/ddr3memory-configurator).

**NOTE:** Kits described as LP include Low Power DIMMs. For more information on ProLiant Energy Efficient Features, see: <http://www.hp.com/go/proliant-energy-efficient>

**NOTE:** There is a maximum support limitation of 8 ranks per memory channel (maximum of 1 quad rank DIMM and 2 dual rank DIMMs per channel)

**NOTE:** PC3L is a low voltage memory.

#### HP Hard Drives

**NOTE:** The components of a storage subsystem (e.g. the drive, the HBA/controller, firmware, and the server backplane) should operate at the same data transfer rate or the system bandwidth will be negotiated down to an acceptable level for all components.

**NOTE:** To support HP hard drives exceeding 2.2TB, a HP Smart Array Controller is required.

**NOTE:** Hard drives have either a one year or three year warranty.

**NOTE:** The non-hot plug hard drives use a quick release carrier.

##### SAS Non-Hot Plug LFF (3.5-inch) Enterprise (ENT) Drives - with quick-release (QR) carrier

HP 600GB 6G SAS 15K rpm LFF (3.5-inch) Quick-release Dual Port Enterprise 3yr Warranty Hard Drive	574758-B21
HP 300GB 6G SAS 15K rpm LFF (3.5-inch) Quick-release Dual Port Enterprise 3yr Warranty Hard Drive	585980-B21



### Core Options

<b>SAS Non-Hot Plug SFF (2.5-inch) Enterprise (ENT) Drives - with quick-release (QR) carrier</b>	
<b>NOTE:</b> the HP s6500 SFF Enablement Kit (607247-B21) must be ordered when ordering SFF HDDs. This kit includes the hardware which holds two SFF HDDs and includes the power cable for the drives. Order one kit for every 2 SFF HDDs.	
HP 300GB 6G SAS 10K rpm SFF (2.5-inch) Quick-release Dual Port Enterprise 3yr Warranty Hard Drive	574879-B21
<b>SAS Non-Hot Plug LFF (3.5-inch) Midline (MDL) Drives - with quick-release (QR) carrier</b>	
HP 2TB 6G SAS 7.2K rpm LFF (3.5-inch) Quick-release Dual Port Midline 1yr Warranty Hard Drive	574761-B21
<b>SATA Non-Hot Plug LFF (3.5-inch) Midline (MDL) Drives - with quick-release (QR) carrier</b>	
HP 3TB 3G SATA 7.2K rpm LFF (3.5-inch) Quick Release Midline 1yr Warranty Hard Drive	642098-B21
HP 2TB 3G SATA 7.2K rpm LFF (3.5-inch) Quick-release Midline 1yr Warranty Hard Drive	574755-B21
HP 1TB 3G SATA 7.2K rpm LFF (3.5-inch) Quick-release Midline 1yr Warranty Hard Drive	574025-B21
HP 500GB 3G SATA 7.2K rpm LFF (3.5-inch) Quick-release Midline 1yr Warranty Hard Drive	574023-B21
<b>SATA Non-Hot Plug SFF (2.5-inch) Midline (MDL) Drives - with quick-release (QR) carrier</b>	
<b>NOTE:</b> the HP s6500 SFF Enablement Kit (607247-B21) must be ordered when ordering SFF HDDs. This kit includes the hardware which holds two SFF HDDs and includes the power cable for the drives. Order one kit for every 2 SFF HDDs.	
HP 1TB 3G SATA 7.2K rpm SFF (2.5-inch) Quick-release Midline 1yr Warranty Hard Drive	627632-B21
HP 500GB 3G SATA 7.2K rpm SFF (2.5-inch) Quick-release Midline 1yr Warranty Hard Drive	574953-B21
<b>SATA Non-Hot Plug SFF (2.5-inch) Enterprise Mainstream Solid State Drives - with quick-release (QR) carrier</b>	
HP 400GB 3G SATA MLC SFF (2.5-inch) Quick-release Enterprise Mainstream 3yr Wty Solid State Drive	636625-B21
HP 200GB 3G SATA MLC SFF (2.5-inch) Quick-release Enterprise Mainstream 3yr Wty Solid State Drive	636623-B21
HP 100GB 3G SATA MLC SFF (2.5-inch) Quick-release Enterprise Mainstream 3yr Wty Solid State Drive	636621-B21





### Core Options

#### HP Power Supplies

**NOTE:** Prior to making a power supply selection it is highly recommended that the HP Power Advisor is run to determine the right size power supply for your server configuration. The HP Power Advisor is located at: [www.hp.com/go/hppoweradvisor](http://www.hp.com/go/hppoweradvisor)

HP 750W Common Slot Gold Hot Plug Power Supply Kit 512327-B21

HP 750W Common Slot Platinum Hot Plug Power Supply Kit 593831-B21

HP 1200W Common Slot Silver Hot Plug Power Supply Kit 500172-B21

HP 1200W Common Slot Platinum Hot Plug Power Supply Kit 578322-B21

**NOTE:** Option Kits contain optional power supply, an IEC power cable and PDU IEC cables.



### Additional Options

**NOTE:** Some options may not be integrated at the factory. To ensure only valid configurations are ordered, HP recommends the use of an HP approved configurator. Contact your local sales representative for additional information.

#### HP Insight Software

##### HP Insight Control

HP Insight Management Media Kit

436222-B21

**NOTE:** HP Insight Management Media Kit contains DVDs without licenses. Contains HP Systems Insight Manager, HP Insight Control, HP Matrix Operating Environment, and Virtual Connect Enterprise Manager software. Uses an integrated installer to perform quick and accurate software installation and updates.

**NOTE:** Licenses ship without media. The HP Insight Control Media Kit can be ordered separately, or can be downloaded at: <http://www.hp.com/go/insightupdates>.

**NOTE:** For additional license options please see the Insight Control QuickSpecs at: [http://h18000.www1.hp.com/products/quickspecs/12631\\_div/12631\\_div.html](http://h18000.www1.hp.com/products/quickspecs/12631_div/12631_div.html)

##### HP Insight Control for Linux

HP Insight Control for Linux including 1yr 24x7 Support Electronic License

TC213AAE

HP Insight Control for Linux including 1yr 24x7 Support Single Server License

TC209A

HP Insight Control for Linux Media Kit

TC208A

**NOTE:** Media pack DVD contains the ISO image for HP Insight Control for Linux, HP Systems Insight Manager, HP Insight Control power management, HP Insight Control virtual machine management, and an integrated installer. Servers must be acquired separately.

**NOTE:** Licenses ship without media. The Media Kit for Insight Control for Linux can be ordered separately, or can be downloaded at: <http://www.hp.com/go/ic-linux> (click on Download button).

**NOTE:** Electronic software is available in all countries except China and Japan. Customers in China and Japan should order the physical equivalent.

**NOTE:** Electronic and Flexible-Quantity licenses can be used to purchase multiple licenses with a single set of activation keys.

**NOTE:** For additional License Kits, including electronic licensing options, please see the QuickSpecs at:

[http://h18000.www1.hp.com/products/quickspecs/13019\\_div/13019\\_div.html](http://h18000.www1.hp.com/products/quickspecs/13019_div/13019_div.html)

##### HP Integrated Lights-Out (iLO) Advanced

HP iLO Advanced Pack Electronic License with 3yr 24x7 Tech Support and Updates

BD506AAE

HP iLO Advanced 1 Server License with 3yr 24x7 Tech Support and Updates

BD505A

**NOTE:** This license allows 1 server to be deployed and managed via HP iLO Advanced. Customer will receive a printed license entitlement certificate via physical shipment. The license entitlement certificate must be redeemed online or via fax in order to obtain the license activation key(s). Includes one year of 24 x 7 HP Software Technical Support Service

**NOTE:** Electronic software is available in all countries except China and Japan. Customers in China and Japan should order the physical equivalent.

**NOTE:** For additional license kits, including electronic delivery options, please see the QuickSpecs at:

[http://h18000.www1.hp.com/products/quickspecs/12362\\_div/12362\\_div.html](http://h18000.www1.hp.com/products/quickspecs/12362_div/12362_div.html)

##### HP Insight Control server deployment

HP Insight Control Server Deployment including 1yr 24x7 Support Electronic License

T9082AAE

HP Insight Control Server Deployment including 1yr 24x7 Support Single Server License

452151-B21



### Additional Options

**NOTE:** Licenses ship without media. The Insight Control Media Kit can be ordered separately, or can be downloaded at: <http://www.hp.com/go/insightupdates>.

**NOTE:** Electronic licenses can be used to purchase multiple licenses with a single activation key, and is available in all countries except China and Japan. Customers in China and Japan should order the physical equivalent.

**NOTE:** Customer will receive a license entitlement certificate, which must be redeemed online or via fax in order to obtain the license activation key(s). Includes one year of 24 x 7 HP Software Technical Support Service.

**NOTE:** For additional license kits please see the Insight Control QuickSpecs at: [http://h18004.www1.hp.com/products/quickspecs/12631\\_div/12631\\_div.html](http://h18004.www1.hp.com/products/quickspecs/12631_div/12631_div.html)

#### High Performance Clusters

##### HP Cluster Management Utility

HP Cluster Management Utility Flexible License

QL803B

**NOTE:** This part number can be used to purchase one certificate for multiple licenses with a single activation key. Each license is for one node (server). Customer will receive a printed end user license agreement and license entitlement certificate via physical shipment. The license entitlement certificate must be redeemed online in order to obtain a license key.

HP Insight CMU Flexible License with 3 years of 24x7 updates and technical support

BD476A

**NOTE:** These part numbers can be used to purchase one certificate for multiple licenses and support with a single activation key. Each license is for one node (server). Customer will receive a printed end user license agreement and license entitlement certificate via physical shipment. The license entitlement certificate must be redeemed online in order to obtain a license key. Customer also will receive a support agreement.

HP Insight CMU Media

BD477A

**NOTE:** For additional license kits please see the QuickSpecs at:

[http://h18004.www1.hp.com/products/quickspecs/12612\\_div/12612\\_div.html](http://h18004.www1.hp.com/products/quickspecs/12612_div/12612_div.html)

##### HP HPC Linux Value Pack

HP High Performance Computing Linux Value Pack 1 Processor Flexible License

TC293B

**NOTE:** This part number can be used to purchase one certificate for multiple licenses with a single activation key. Each license is for one socket (a.k.a. processor). Customer will receive a printed end user license agreement and license entitlement certificate via physical shipment. The license entitlement certificate must be redeemed online in order to obtain a license key.

HP High Performance Computing Linux Value Pack Media Kit

TC294A

**NOTE:** This part number can be used to purchase media including software and documentation, which will be delivered to the customer.

**NOTE:** For additional license kits please see the QuickSpecs at:

[http://h18004.www1.hp.com/products/quickspecs/13485\\_div/13485\\_div.html](http://h18004.www1.hp.com/products/quickspecs/13485_div/13485_div.html)



### Additional Options

#### HP SL Advanced Power Manager

The SL Advanced Power Manager is an optional rack level solution for the HP ProLiant SL6500 which enables server-level DC (or hardware) power on and off and server-level monitoring. In addition, the SL APM will automatically discover SL hardware components which are connected into the SL APM solution.

The SL APM does not replace rack PDUs, but is designed to enable the utilization of basic, low cost, rack PDUs while providing the functionality of 'switched' PDUs which provide hardware power on/off of individual servers by turning off the AC power to the power supplies of a given server. Because the SL servers share power supplies to optimize power efficiency, using 'switched' PDUs to turn off the power supplies in the chassis will result in the loss of all servers in that chassis. The SL APM solves this by allowing server-level hardware power on/off of the DC power to the individual server motherboards.

HP SL Advanced Power Manager Kit

538084-B21

HP SL Advanced Power Manager Distribution Module Kit

620002-B21

#### HP Security

HP Trusted Platform Module Option

488069-B21

**NOTE:** The TPM (Trusted Platform Module) is a microcontroller chip that can securely store artifacts used to authenticate the server platform. These artifacts can include passwords, certificates and encryption keys. Windows® BitLocker™ Drive Encryption (BitLocker) is a data protection feature available in Windows Server® 2008. BitLocker leverages the enhanced security capabilities of a Trusted Platform Module (TPM) version 1.2. The TPM works with BitLocker to help protect user data and to ensure that a server running Windows Server 2008 has not been tampered with while the system was offline. For more information about TPM, including a white paper, go to: [www.hp.com/go/TPM](http://www.hp.com/go/TPM).

**NOTE:** ProLiant OS pre-installed units will come with the partition required for TPM deployment.

**NOTE:** The TPM key is unique to every TPM deployed server and must be retained. Misplacing or losing the key could result in data loss.

#### HP Storage Controllers

**NOTE:** To support HP hard drives exceeding 2.2TB, HP Smart Array Firmware version 5.0 or later is required for the P212 and P410 controllers.

##### SAS Controllers

##### Smart Array P212 Controller

**NOTE:** The HP SAS/PWR Cable P212 Half Width Kit (658608-B21) is required when using the P212 controller.

HP Smart Array P212/ZM 1-ports Int/1-ports Ext PCIe x8 SAS Controller

462828-B21

HP Smart Array P212/256 1-ports Int/1-ports Ext PCIe x8 SAS Controller

462834-B21

##### Smart Array P410 Controller

**NOTE:** The HP s6500 SAS Enablement Kit (610682-B21) is required when using the P410 Controller.

HP Smart Array P410/256 2-ports Int PCIe x8 SAS Controller

462862-B21

HP Smart Array P410/512 BBWC 2-ports Int PCIe x8 SAS Controller

462864-B21

HP Smart Array P410/512 FBWC 2-ports Int PCIe x8 SAS Controller

578230-B21

HP Smart Array P410/1G FBWC 2-ports Int PCIe x8 SAS Controller

572532-B21

##### Optional Upgrades



### Additional Options

HP 512MB P-Series Battery Backed Write Cache Upgrade	462967-B21
<b>NOTE:</b> Supported on HP Smart Array P410 Controller only.	
HP 1GB Flash Backed Cache	534562-B21
<b>NOTE:</b> Please see the following QuickSpecs for Technical Specifications and additional information:	
<a href="http://h18000.www1.hp.com/products/quickspecs/13203_div/13203_div.html">http://h18000.www1.hp.com/products/quickspecs/13203_div/13203_div.html</a> (Smart Array P212 Controller)	
<a href="http://h18000.www1.hp.com/products/quickspecs/13201_div/13201_div.html">http://h18000.www1.hp.com/products/quickspecs/13201_div/13201_div.html</a> (Smart Array P410 Controller)	

### HP Power Cords

**NOTE:** HP ProLiant servers ships with an IEC-IEC power cord used for rack mounting with Power Distribution Units (PDUs).

HP 1.83m 10A C13 CZ Power Cord	AF565A
HP 1.83m 10A C13 DK Power Cord	AF566A
HP 1.83m 10A C13 EU Power Cord	AF568A
HP 1.83m 10A C13 Power Cord	AF564A
HP 1.83m 10A C13 NBR14136 Brazil Power Cord	AF591A
HP 1.83m 10A C13 UK Power Cord	AF570A
HP 1.83m 10A C13 IT/CL Power Cord	AF571A
HP 2.5m 16A C13 IS1293 India Power Cord	SG579A
HP 1.83m 10A C13 Power Cord	AF569A
HP 2.5m 10A C13 ZA Power Cord	AF567A
HP 2m C13 Japan Power Cord	AF572A
HP 1.83m 10A C13 Power Cord	AF557A
HP 1.83m 10A C13 Power Cord	AF560A
HP 1.83m 10A C13 Power Cord	AF561A
HP 1.83m 10A C13 Power Cord	AF559A
HP 1.83m 10A C13 Power Cord	AF556A
HP 2.0m 10A C13 Power Cord	AF562A
HP 2.5m 10A C13 Power Cord	AF558A
HP 2m 10A C13-C14 Redundant Jumper Cord	AF573A



### Additional Options

#### HP Rack Series

**HP Rack 10000 G2 Series** (Carbon/Graphite Metallic)

HP 10642 G2 1200mm deep Shock Rack

AF092A

HP 10647 G2 1200mm deep Shock Rack

AF094A

**NOTE:** It is mandatory to use a shock pallet when shipping racks with equipment installed.

**NOTE:** Please see the QuickSpecs for Technical Specifications and additional information:

[http://h18000.www1.hp.com/products/quickspecs/12402\\_div/12402\\_div.html](http://h18000.www1.hp.com/products/quickspecs/12402_div/12402_div.html)  
(Worldwide)

**NOTE:** For additional information regarding Rack Cabinets and Telco Rack support, please see the following URL: <http://www.hp.com/go/rackandpower>.

**NOTE:** The increasing power of new high-performance processor technology requires increased cooling efficiency for rack-mounted servers. The 10000 Series Racks provide enhanced airflow for maximum cooling, allowing these racks to be fully loaded with servers using the latest processors.

**CAUTION:** If a third-party rack is used, observe the following additional requirements to ensure adequate airflow and to prevent damage to the equipment: Front and rear doors: If your 42U server rack includes closing front and rear doors, you must allow 830 square inches (5,350 sq cm) of hole evenly distributed from top to bottom to permit adequate airflow (equivalent to the required 64 percent open area for ventilation). Side: The clearance between the installed rack component and the side panels of the rack must be a minimum of 2.75 inches (7 cm).

**CAUTION:** Always use blanking panels to fill all remaining empty front panel U-spaces in the rack. This arrangement ensures proper airflow. Using a rack without blanking panels results in improper cooling that can lead to thermal damage.

**NOTE:** Quick deploy rail system provides tool-free support for racks with square or round mounting holes (including Compaq/HP 7000, 9000, 10000 G2 and HP series), with an adjustment range of 24" - 36". The ambidextrous cable management arm can be mounted on either the left or right side for improved cable management.



### Memory

#### HP ProLiant SL335s G7 Server

**NOTE:** Memory configurations listed do not apply to "Factory Integrated Models".

**NOTE:** Chart does not represent all possible memory configurations.

#### DDR3 memory population guidelines

For detailed memory configuration rules and guidelines, please use the Online DDR3 Memory Configuration Tool:

[www.hp.com/go/ddr3memory-configurator](http://www.hp.com/go/ddr3memory-configurator)

Some DIMM installation guidelines are summarized below:

- For this server with twelve (12) memory slots:
  - There are two (2) channels per processor; four (4) channels per server
  - There are three (3) DIMM slots for each memory channel; twelve (12) total slots
  - Memory channel 2 consists of the three (3) DIMMs that are closest to the processor
  - Memory channel 1 consists of the three (3) DIMMs that are furthest from the processor
- DIMM slots that are white should be populated first
- Do not mix Unbuffered memory (UDIMMs) with Registered memory (RDIMMs)
- Do not install DIMMs if the corresponding processor is not installed
- If only one processor is installed in a 2CPU system, only half of the DIMM slots are available
- To maximize performance, balance the total memory capacity between all installed processors
- It is not required, but it is recommended to load the channels similarly if possible
- You can only install one quad-rank DIMM per channel and it must be in center slot.
- You can only install two UDIMMs per channel; if available, the third slot in the channel must remain empty
- If mixing DIMM voltage is a requirement, please note that the DIMMs will run at 1.5V since all 1.35V are capable of supporting 1.5V operations

**DIMM slot/capacity/populated speed table**

DIMM Type	Registered DIMMS (RDIMMs)					Unbuffered with ECC DIMMs (UDIMMs)	
	Single Rank (1R)	Dual Rank (2R)			Quad Rank (4R)	Single Rank (1R)	Dual Rank (2R)
DIMM Rank							
DIMM Capacity	4GB	2GB	8GB	16GB	16GB	2GB	4GB
DIMM Native Speed (MHz)	1333	1333	1333	1333	1066	1333	1333
Wattage	LV/Std	Std	LV/Std	LV/Std	Std	Std	Std
<b>SLOTS THAT CAN BE POPULATED</b>							
12 slot servers	12	12	12	12	4	8	8
<b>MAXIMUM CAPACITY (GB)</b>							
12 slot servers	48	24	96	192	64	16	32
<b>POPULATED DIMM SPEED (MHz)</b>							
1 DIMM Per Channel	1333	1333	1333	1333	1066	1333	1333
2 DIMM Per Channel	1333	1333	1333	1333	n/a	1333	1333
3 DIMM Per Channel	1333	1066	1066	800/1066*	n/a	n/a	n/a

#### NOTES:



### Memory

- PC3-10600 DIMMs have a maximum speed of 1333MHz. PC3-8500 DIMMs have a maximum speed of 1066MHz
- Mixing DIMM speeds is allowed, but the system processor speed rules always override the DIMM capabilities
- If you do mix DIMM speeds, the memory bus will default to the minimum clock rate of all DIMMs in the system - even if the slower DIMM is on the other processor
- If you install 1x 1066MHz DIMM in channel 1 and 1x 1333MHz DIMM in channel 2, the maximum speed will be 1066MHz If you install 1x 1066MHz DIMM in channel 1 and 5x 1333MHz DIMMs with 1 DIMM Per Channel (DPC) in each of the other channels, the maximum speed will be 1066MHz
- Maximum memory speed will also depend on the processor installed
- References to the above MHz speeds are for the various speeds of DDR3 DIMMs; 1333 refers to DDR3-1333, etc.

#### DIMM slot and configuration diagrams

##### Basic memory slot & population diagram

- Population order; start with "A" first, "B" second, "C" third, etc.

12 DIMM SLOTS (6 per CPU)					
	CPU1		CPU2		
	slot #	population order	slot #	population order	
Chnl 1	1	A	1	A	Chnl 1
	2	E	2	E	
	3	C	3	C	
Chnl 2	4	B	4	B	Chnl 2
	5	F	5	F	
	6	D	6	D	

Note, slots 1 and 4 are furthest from the CPU, slots 3 and 6 are closest.

##### RDIMM maximum configuration (2 CPU model)

- 192GB, consisting of twelve (12) 16GB Dual-Ranked PC3L-10600 RDIMMs

	CPU1		CPU2		
	slot #	population order	slot #	population order	
Chnl 1	1	A; 16GB DIMM	1	A; 16GB DIMM	Chnl 1
	2	E; 16GB DIMM	2	E; 16GB DIMM	
	3	C; 16GB DIMM	3	C; 16GB DIMM	
Chnl 2	4	B; 16GB DIMM	4	B; 16GB DIMM	Chnl 2
	5	F; 16GB DIMM	5	F; 16GB DIMM	
	6	D; 16GB DIMM	6	D; 16GB DIMM	

##### UDIMM maximum configuration (2 CPU model)

- 32GB, consisting of eight (8) 4GB dual-rank PC3-10600 UDIMMs



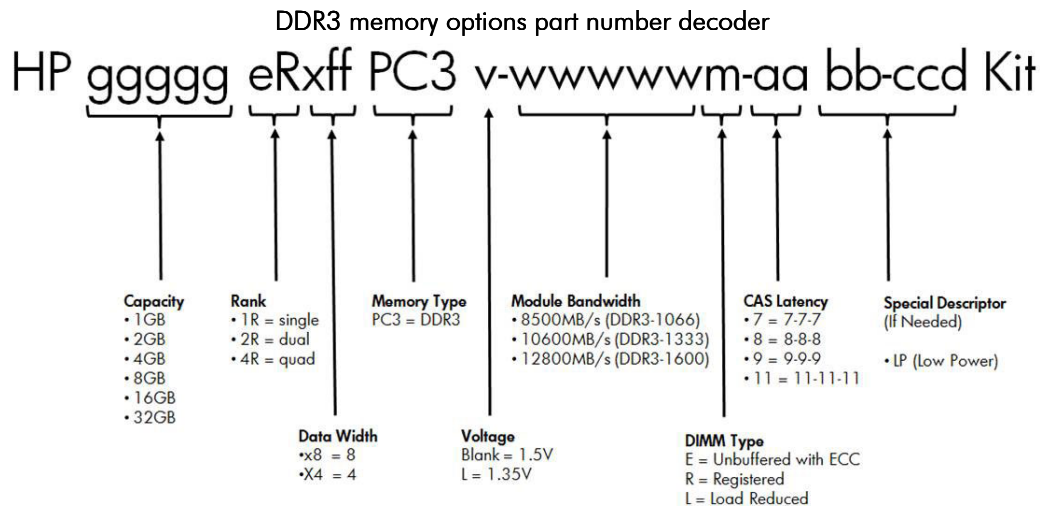


### Memory

	CPU1		CPU2		
	slot #	population order	slot #	population order	
Chnl 1	1	A; 4GB DIMM	1	A; 4GB DIMM	Chnl 1
	2	E; Empty	2	E; Empty	
	3	C; 4GB DIMM	3	C; 4GB DIMM	
Chnl 2	4	B; 4GB DIMM	4	B; 4GB DIMM	Chnl 2
	5	F; Empty	5	F; Empty	
	6	D; 4GB DIMM	6	D; 4GB DIMM	

**NOTE:** Capacity references are rounded to the common Gigabyte values.

- 1GB = 1024MB
- 2GB = 2048MB
- 4GB = 4096MB
- 8GB = 8192MB
- 16GB = 16384MB



Following are memory options available from HP:

#### HP Memory

#### Registered DIMMs (RDIMMs)

HP 2GB (1x2GB) Dual Rank x8 PC3-10600 (DDR3-1333) Registered CAS-9 Memory Kit	593907-B21
HP 4GB (1x4GB) Single Rank x4 PC3L-10600 (DDR3-1333) Registered CAS-9 Low Power Memory Kit	604500-B21
HP 8GB (1x8GB) Dual Rank x4 PC3-10600 (DDR3-1333) Registered CAS-9 Memory Kit	593913-B21
HP 8GB (1x8GB) Dual Rank x4 PC3L-10600 (DDR3-1333) Registered CAS-9 Low Power Memory Kit	604502-B21



### Memory

HP 16GB (1x16GB) Quad Rank x4 PC3-8500 (DDR3-1066) Registered CAS-7 Memory Kit	593915-B21
HP 16GB (1x16GB) Dual Rank x4 PC3L-10600 (DDR3-1333) Registered CAS-9 LP Memory Kit	627808-B21
<b>Unbuffered with ECC DIMMs (UDIMMs)</b>	
HP 2GB (1x2GB) Dual Rank x8 PC3-10600 (DDR3-1333) Unbuffered CAS-9 Memory Kit	593921-B21
HP 4GB (1x4GB) Dual Rank x8 PC3-10600 (DDR3-1333) Unbuffered CAS-9 Memory Kit	593923-B21

**NOTE:** All DDR3 memory option kits consist of one DIMM per kit. For detailed memory configuration rules and guidelines, please use the Online DDR3 Memory Configuration Tool: [www.hp.com/go/ddr3memory-configurator](http://www.hp.com/go/ddr3memory-configurator).

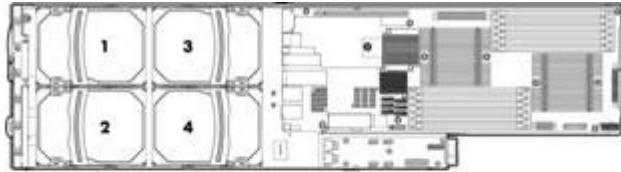
**NOTE:** Kits described as LP include Low Power DIMMs. For more information on ProLiant Energy Efficient Features, see: <http://www.hp.com/go/proliant-energy-efficient>

**NOTE:** There is a maximum support limitation of 8 ranks per memory channel (maximum of 1 quad rank DIMM and 2 dual rank DIMMs per channel)

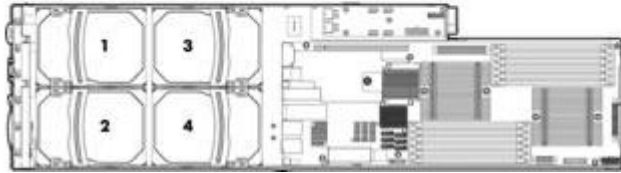
**NOTE:** PC3L is a low voltage memory.



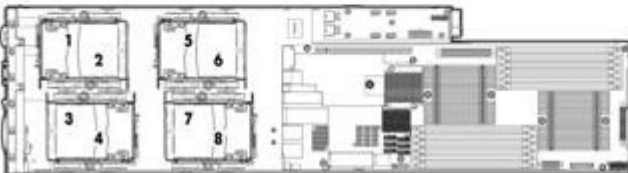
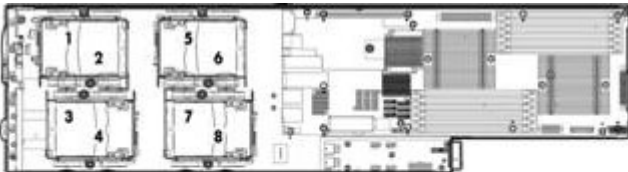
### Storage



1-4 Non-hot plug LFF SATA or SAS hard drive bays - Using quick release carrier



1-8 Non-hot plug SFF SATA or SAS hard drive bays - Using quick release carrier



### Drive Support

#### Hard Drives

**NOTE:** The components of a storage subsystem (e.g. the drive, the HBA/controller, firmware, and the server backplane) should operate at the same data transfer rate or the system bandwidth will be negotiated down to an acceptable level for all components.

**NOTE:** Hard drives have either a one year or three year warranty.

#### SAS Hot Plug LFF (3.5-inch) Enterprise (ENT) Drives - with quick-release (QR) carrier

	Quantity Supported	Position Supported	Controller
600GB 6G SAS 10K	Up to 4	1-4	HP Smart Array P212/Zero Memory Controller
300GB 6G SAS 10K			HP Smart Array P212/256 MB Controller
			HP Smart Array P410/256MB Controller
			HP Smart Array P410/512MB with BBWC

**NOTE:** HP s6500 SAS Enablement Kit is required when adding SAS hard drives using a P410 Smart Array controller. P212 requires the HP SAS/PWR Cable P212 Half Width Kit.

#### SAS Hot Plug SFF (2.5-inch) Enterprise (ENT) Drives - with quick-release (QR) carrier

	Quantity Supported	Position Supported	Controller
300GB 6G SAS 10K	Up to 8	1-8	HP Smart Array P212/Zero Memory Controller
			HP Smart Array P212/256 MB Controller
			HP Smart Array P410/256MB Controller
			HP Smart Array P410/512MB with BBWC



### Storage

**NOTE:** HP s6500 SAS Enablement Kit and HP s6500 SFF Enablement Kit are required when adding SFF SAS hard drives using a P410 Smart Array controller. P212 requires the HP SAS/PWR Cable P212 Half Width Kit and HP s6500 SFF Enablement Kit.

#### SAS Hot Plug LFF (3.5-inch) Midline (MDL) Drives - with quick-release (QR) carrier

	Quantity Supported	Position Supported	Controller
2TB 6G SAS 7.2K	Up to 4	1-4	HP Smart Array P212/Zero Memory Controller HP Smart Array P212/256 MB Controller HP Smart Array P410/256MB Controller HP Smart Array P410/512MB with BBWC <b>NOTE:</b> HP s6500 SAS Enablement Kit is required when adding SAS hard drives using a P410 Smart Array controller. P212 requires the HP SAS/PWR Cable P212 Half Width Kit.

#### SATA Non-Hot Plug LFF (3.5-inch) Midline (MDL) Drives - with quick-release (QR) carrier

	Quantity Supported	Position Supported	Controller
3TB 3G SATA 7.2K 2TB 3G SATA 7.2K 500GB 3G SATA 7.2K	Up to 4	1-4	HP Embedded Smart Array B110i SATA RAID Controller (RAID 0, 1, 10) <b>NOTE:</b> The 3TB HDD is not supported with the B110i. HP Smart Array P212/Zero Memory Controller HP Smart Array P212/256 MB Controller HP Smart Array P410/256MB Controller HP Smart Array P410/512MB with BBWC <b>NOTE:</b> HP s6500 SAS Enablement Kit is required when adding 3TB SATA hard drives using a P410 Smart Array controller. P212 requires the HP SAS/PWR Cable P212 Half Width Kit.

#### SATA Non-Hot Plug SFF (2.5-inch) Midline (MDL) Drives - with quick-release (QR) carrier

	Quantity Supported	Position Supported	Controller
1TB 3G SATA 7.2K 500GB 3G SATA 7.2K 250GB 3G SATA 7.2K	Up to 8	1-8	HP Embedded SATA Controller HP Smart Array P410/256MB Controller HP Smart Array P410/512MB with BBWC <b>NOTE:</b> For supporting greater than 4 and up to 6 SFF SATA HDDs, a HP SL335s 5&6 SFF HDD Enablement Kit is required. For supporting more than 6 (up to 8) SFF SATA HDDs, a P410 Smart Array controller and SAS Enablement Kit are required. Additionally, the HP s6500 SFF Enablement Kit is required when adding SFF SATA hard drives.



### Power Specifications

HP 750W Common Slot Gold Hot Plug Power Supply Kit							
Part Number	512327-B21						
Input Voltage Range ( V rms )	100 to 240						
Frequency Range (Nominal) ( Hz )	50/60						
Nominal Input Voltage ( Vrms )	100	120	200	208	220	230	240
Maximum Rated Output Wattage Rating	750	750	750	750	750	750	750
Nominal Input Current ( A rms )	8.9	7.4	4.3	4.1	3.9	3.7	3.6
Maximum Rated Input Wattage Rating ( Watts )	857	847	824	825	820	820	820
Maximum Rated VA ( Volt-Amp )	894	884	859	859	854	854	854
Efficiency ( % )	87.5	88.5	91	91	91.5	91.5	91.5
Power Factor	0.97						
Leakage Current ( mA )	0.42	0.50	0.83	0.87	0.92	0.96	1.00
Maximum Inrush Current ( A peak )	30						
Maximum Inrush Current duration ( mS )	20						
Maximum British Thermal Unit Rating ( BTU-Hr )	2925	2892	2812	2812	2797	2797	2797

HP 750W Common Slot Platinum Hot Plug Power Supply Kit							
Part Number	593831-B21						
Input Voltage Range ( V rms )	100 to 240						
Frequency Range (Nominal) ( Hz )	50/60						
Nominal Input Voltage ( Vrms )	100	120	200	208	220	230	240
Maximum Rated Output Wattage Rating	750	750	750	750	750	750	750
Nominal Input Current ( A rms )	8.6	7.1	4.2	4.0	3.8	3.6	3.4
Maximum Rated Input Wattage Rating ( Watts )	841	828	809	808	807	806	805
Maximum Rated VA ( Volt-Amp )	863	850	830	829	828	827	826
Efficiency ( % )	89.2	90.6	92.7	92.8	93	93.1	93.2
Power Factor	0.985						
Leakage Current ( mA )	0.42	0.50	0.83	0.87	0.92	0.96	1.00
Maximum Inrush Current ( A peak )	30						
Maximum Inrush Current duration ( mS )	20						
Maximum British Thermal Unit Rating ( BTU-Hr )	2868	2825	2761	2757	2753	2749	2747



### Power Specifications

HP 1200W Common Slot Silver Hot Plug Power Supply Kit							
Part Number	500172-B21						
Input Voltage Range ( V rms )	100 to 240						
Frequency Range (Nominal) ( Hz )	50/60						
Nominal Input Voltage ( Vrms )	100	120	200	208	220	230	240
Maximum Rated Output Wattage Rating	800	900	1200	1200	1200	1200	1200
Nominal Input Current ( A rms )	9.7	9.0	7.0	6.8	6.4	9.1	5.9
Maximum Rated Input Wattage Rating ( Watts )	930	1034	1348	1348	1348	1348	1348
Maximum Rated VA ( Volt-Amp )	970	1079	1406	1406	1406	1406	1406
Efficiency ( % )	86	87	89	89	89	89	89
Power Factor	0.97						
Leakage Current ( mA )	0.42	0.50	0.83	0.87	0.92	0.96	1.00
Maximum Inrush Current ( A peak )	30						
Maximum Inrush Current duration ( mS )	20						
Maximum British Thermal Unit Rating ( BTU-Hr )	3174	3530	4600	4600	4600	4600	4600

HP 1200W Common Slot Platinum Hot Plug Power Supply Kit							
Part Number	578322-B21						
Input Voltage Range ( V rms )	100 to 240						
Frequency Range (Nominal) ( Hz )	50/60						
Nominal Input Voltage ( Vrms )	100	120	200	208	220	230	240
Maximum Rated Output Wattage Rating	800	900	1200	1200	1200	1200	1200
Nominal Input Current ( A rms )	9.3	8.6	6.7	6.5	6.1	5.8	5.6
Maximum Rated Input Wattage Rating ( Watts )	889	989	1290	1290	1290	1290	1290
Maximum Rated VA ( Volt-Amp )	927	1031	1345	1345	1345	1345	1345
Efficiency ( % )	90	91	93	93	93	93	93
Power Factor	0.97						
Leakage Current ( mA )	0.42	0.50	0.83	0.87	0.92	0.96	1.00
Maximum Inrush Current ( A peak )	30						
Maximum Inrush Current duration ( mS )	10						
Maximum British Thermal Unit Rating ( BTU-Hr )	3033	3375	4403	4403	4403	4403	4403

To review typical system power ratings use the Active Answers HP Power Advisor which is available via the online tool located at URL: [www.hp.com/go/proliant-energy-efficient](http://www.hp.com/go/proliant-energy-efficient) or [www.hp.com/go/hppoweradvisor](http://www.hp.com/go/hppoweradvisor)



### Technical Specifications

<b>System Unit</b>	<b>Dimensions (H x W x D)</b> (with bezel)	6.96 x 17.638 x 35.236in (17.68 x 44.8 x 89.55cm)	
	<b>Weight</b> (approximate)	Maximum (all hard drives, power supplies, and processors installed)	220lb (99.8kg)
<b>Input Requirements</b> (per power supply)	Rated Line Voltage		90 to 140 VAC 180 to 264 VAC
		Rated Input Current	7.31A at 115VAC 3.6A at 230VAC
	Rated Input Frequency		47 to 63 Hz
	Rated Input Power		855W (at 100 VAC), 840.72W (at 200 VAC)
<b>Power Specifications</b>	To review typical system power ratings use the HP Power Advisor which is available via the online tool located at URL: <a href="http://www.hp.com/go/proliant-energy-efficient">www.hp.com/go/proliant-energy-efficient</a>		
<b>Power Supply Output</b> (per power supply)	Rated Steady-State Power	653.10W (at 100 VAC), 653.08W (at 200 VAC)	
<b>System Inlet Temperature</b>	Operating	50° to 95° F (10° to 35° C) at sea level with an altitude derating of 1.8°F per every 1000 ft (1.0°C per every 305 m) above sea level to a maximum of 10,000 ft (3050 m), no direct sustained sunlight. Maximum rate of change is 18°F/hr (10°C/hr). The upper limit may be limited by the type and number of options installed. System performance may be reduced if operating with a fan fault or above 86°F (30°C).	
	Non-operating	-22° to 140° F (-30° to 60° C) Maximum rate of change is 36°F/hr (20°C/hr).	
<b>Relative Humidity</b> (non-condensing)	Operating	10% to 90% relative humidity (Rh), 82.4°F (28°C) maximum wet bulb temperature, non-condensing.	
	Non-operating	5% to 95% relative humidity (Rh), 101.7°F (38.7°C) maximum wet bulb temperature, non-condensing.	
<b>Altitude</b>	Operating	10,000 ft (3050 m). This value may be limited by the type and number of options installed. Maximum allowable altitude change rate is 1500 ft/min (457 m/min).	
	Non-operating	30,000 ft (9144 m). Maximum allowable altitude change rate is 1500 ft/min (457 m/min).	
<b>Acoustic Noise</b>	Listed are the declared A-Weighted sound power levels (LWAd) and declared average bystander position A-Weighted sound pressure levels (LpAm) when the product is operating in a 23°C ambient environment. Noise emissions were measured in accordance with ISO 7779 (ECMA 74) and declared in accordance with ISO 9296 (ECMA 109).		



### Technical Specifications

Emissions Classification (EMC)	Idle	
	$L_{WAd}$	6.4
	$L_{pAm}$	45dBA
	Operating	
	$L_{WAd}$	6.7
	$L_{pAm}$	51dBA
FCC Rating	FCC Rating	Class A
	Normative Standards	CISPR 22; EN55022; EN55024; FCC CFR 47, Pt 15; ICES-003; CNS13438; GB9254; K22;K24; EN 61000-3-2; EN 61000-3-3; EN 60950-1; IEC 60950-1

**NOTE:** Product conformance to cited product specifications is based on sample (type) testing, evaluation, or assessment. This product or family of products is eligible to bear the appropriate compliance logos and statements.

Embedded NC362i PCIe Gigabit Server Adapter	Network Interface	Integrated 10/100/1000BASE-T Transceiver		
		Combines a triple-speed IEEE 802.3TM - Compliant Media Access Controller (MAC) with a triple-speed Ethernet transceiver.		
	Data Transfer Method	Compliant to x4 PCIe Specification		
	Controller	Intel® 82576		
	Network Transfer Rate	10Base-T (Half-Duplex)	10 Mb/s	
		10Base-T (Full-Duplex)	20 Mb/s	
		100Base-TX (Half-Duplex)	100 Mb/s	
100Base-TX (Full-Duplex)		200 Mb/s		
1000Base-TX (Half and Full-Duplex)		2000Mb/s		
Connector	RJ-45 connector			
Cable Support	Performs all the physical layer functions for 10BASE-T, 100BASE-T, and 1000BASE-T Ethernet on standard Category 5 UTP			

Environment-friendly Products and Approach	End-of-life Management and Recycling	Hewlett-Packard offers end-of-life HP product return, trade-in, and recycling programs in many geographic areas. For trade-in information, please go to: <a href="http://www.hp.com/go/green">http://www.hp.com/go/green</a> . To recycle your product, please go to: <a href="http://www.hp.com/go/green">http://www.hp.com/go/green</a> or contact your nearest HP sales office. Products returned to HP will be recycled, recovered or disposed of in a responsible manner.
--	--------------------------------------	--

The EU WEEE directive (2002/95/EC) requires manufacturers to provide treatment information for each product type for use by treatment facilities. This information (product disassembly instructions) is posted on the Hewlett Packard web site at: <http://www.hp.com/go/green>. These instructions may be used by recyclers and other WEEE treatment facilities as well as HP OEM customers who integrate and re-sell HP equipment.





## *Technical Specifications*

© Copyright 2012 Hewlett-Packard Development Company, L.P.

The information contained herein is subject to change without notice.

Microsoft and Windows are US registered trademarks of Microsoft Corporation. Intel, the Intel logo, Xeon and Xeon Inside are trademarks of Intel Corporation in the U.S. and other countries.

The only warranties for HP products and services are set forth in the express warranty statements accompanying such products and services. Nothing herein should be construed as constituting an additional warranty. HP shall not be liable for technical or editorial errors or omissions contained herein.

For hard drives, 1GB = 1 billion bytes. Actual formatted capacity is less.

