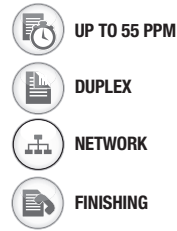


Lexmark X658 Family

Lexmark X658de/X658dte

Lexmark X658dme/X658dtme

Lexmark X658dfe/X658dtfe



Benefits that no copier can copy!



LEXMARKTM

Print Less. Save More.

Print less? This may seem like a surprising message for a company dedicated solely to printing. But when you consider that businesses spend, on average, up to 6% of their revenue on printing and active print management can cut office print costs by up to 30%¹, it makes a lot of sense. Lexmark products, solutions and services provide innovative ways to save you time, drive down costs and reduce your impact on the environment. We are committed to helping you print less and save more.

¹Source: InfoTrends/CapVentures, Network Document Solutions Forecast 2007-2012, Network Document Solutions Consulting Service, August 2008

Introducing the intelligent alternative to copiers! The fully equipped Lexmark X658 multifunction laser family brings you the benefits of a departmental copier in a more compact, affordable device. Get everything you need to power through your busy workday, including rapid output speeds, smart workflow capabilities, cutting-edge security and flexible paper handling.



Amazing document power!

Whether you need to make a large number of copies, scan and send a big presentation, or zip through a high-volume print run, you're equipped with the robust features and functionality you need to get the job done.

- Exceptional speeds; delivers up to 55 prints, copies or scans per minute
- Advanced paper handling, including stapling or a mailbox
- Optimized workflow capabilities with flexible scan destinations and formats
- Powerful fax with time-saving functions, such as fax forwarding
- Large-capacity 80GB hard disk for expanded functionality



Flexibility from start to finish

When it comes to office performance, there's very little these MFPs can't do. You'll benefit from a wide range of versatile features to maximize your office productivity.

- Intuitive, customizable touch screen for effortless operation
- Lexmark's Embedded Solutions Framework enables your MFP to be tailored for workflow efficiency
- MyMFP lets users personalize the touch screen with the functions and shortcuts they use most
- Optional integrated card reader for easy authentication

* See your Lexmark representative to learn more



Cutting-edge security

The Lexmark X658 family is equipped with state-of-the-art security to protect your valuable corporate data. It also features customizable user-access controls, allowing you to enable or disable functions with ease.

- IPSec, SNMPv3 and 802.1x network security
- Secure data encryption and disk wiping
- Industry-leading access restrictions, including LDAP
- Proactively tracks and identifies security risks



Prints black, thinks green

With the efficient Lexmark X658 family, it's easy to save paper, lower the energy your MFP consumes, and use fewer cartridges overall. In addition, you'll free up valuable office space for other uses and actually print less by reducing the amount of information you print, copy and distribute in hardcopy format.

- Eco-Mode reduces power consumption
- Built-in duplex printing saves paper
- Lexmark Extra High Yield Print Cartridge (36,000* pages) reduces waste and keeps your cost per page low
- Lexmark Cartridge Collection Program offers fast, free and easy recycling



Lexmark X658 Family

Explore the features that keep you moving



Less is definitely more!

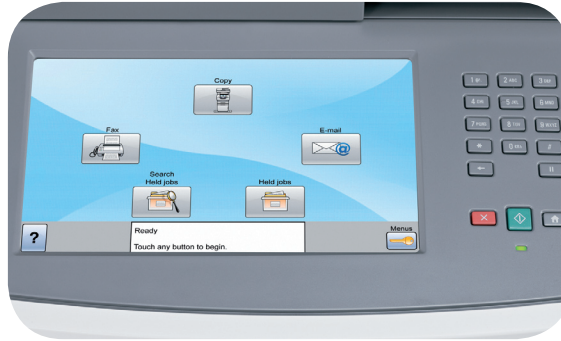
Everything you'd expect from a great copier is here, from the robust design to the rapid output speeds. But Lexmark X658 MFPs take over where copiers leave off.

By choosing an efficient A4 device (letter/legal) over a large A3 device (11 x 17 inch), you'll be able to save valuable office space, lower your total printing costs, boost productivity and deploy time-saving document technology closer to users.

What's more, Lexmark X658 MFPs are incredibly simple to set up. You can literally roll them into place, and in just minutes you'll have advanced copying and scanning functionality to dramatically enhance the way you work.

The Productivity Checklist

If you've got all these, then you've got a Lexmark!



Enormously intuitive touch screen

The incredibly large, fully featured color touch screen gives you fast, easy access to document capture and workflow functions. Tailor it to your business requirements with the icons and shortcuts you need most. You can even change the background image to whatever suits you best, like your logo.

Fantastic finishing

Choose the StapleSmart II™ Finisher model to staple multiple sets of documents of up to 50 pages each. Or organize your output with the 4-bin mailbox configuration, which lets you assign each bin to a different user or a dedicated function – like one for incoming faxes, one for copies and one for regular output.

Multitalented copying

Benefit from a rich range of advanced copy functions to boost your productivity, such as Priority Copy to interrupt long print runs temporarily; ID Card Copy to copy both sides of a card on to a single sheet; Sample Copy to proof the first copy set before printing the remaining copies; and Remote Copy, which you can use to scan color documents on your monochrome Lexmark X658 and retrieve them from a Lexmark color laser printer or MFP.

Efficient traffic shaping

When you e-mail a large file from your Lexmark X658 it won't cause a traffic jam on your network. That's because traffic-shaping technology can partition your network traffic and designate lower bandwidth for outbound flows. This is especially useful for busy networks and externally hosted Web servers.

On-screen scan previews

Before you scan and e-mail an important image file, see how it looks and fits on the page. Should it be in color or black and white? Is the page orientation correct? Are you sure you scanned the correct side of the page? You may also want to check the file size of the scanned document before you save it or forward it. The Lexmark X658 lets you preview your scan and note the file size, saving you time and eliminating errors.

Personalized user settings

A real efficiency booster, Lexmark's new MyMFP feature lets multiple users save and re-access their personal settings on a simple flash drive, including their local address book, personal fax numbers, individual copy settings, and even their own touch-screen configuration. They simply walk up to the MFP, slide in their flash drive and the MFP literally transforms into their own personal device. A warm welcome each time they use it!

Hassle-free installation and management

Every Lexmark X658 model arrives pre-assembled and ready to go – you can have it up and running in just a few minutes. If you're installing multiple Lexmark devices, the Lexmark Universal Driver offers easy deployment. Once you're up and running, Lexmark's free remote management software, Lexmark MarkVision™ Professional, keeps the workday flowing.

Lexmark's Embedded Solutions Framework

Experience more productivity than you could ever imagine! Lexmark's new MFPs come solutions-ready. That means they can be customized easily to meet your unique printing needs. Contact your Lexmark representative to find out how simple it is to tailor your MFP with one or more of Lexmark's leading industry solutions. With the touch of an icon you can transform your hardcopy documents into digital workflow, helping you print less, save time, lower costs, and reduce the environmental impact of printing.

Lexmark X658 Family



What's the perfect finish for your busy workgroup?



Lexmark X658dte

- Three 550-sheet standard input trays
- 100-sheet multipurpose feeder
- Two output bins for a total of 1,050 sheets of output capacity

Also available:
Lexmark X658de (ships with two 550-sheet standard input trays)



Lexmark X658dtme

- Three 550-sheet standard input trays
- 100-sheet multipurpose feeder
- Four mailbox bins and a standard bin provide up to 950 sheets of output capacity

Also available:
Lexmark X658dme (ships with two 550-sheet standard input trays)



Lexmark X658dtfe

- Three 550-sheet standard input trays
- 100-sheet multipurpose feeder
- StapleSmart II™ Finisher staples sets of up to 50 pages and increases output capacity to 1,050 sheets

Also available:
Lexmark X658dfe (ships with two 550-sheet standard input trays)

	Lexmark X658de	Lexmark X658dme	Lexmark X658dfe
Printing			
Print Technology	Monochrome Laser		
Print Speed (Letter, Black): Up to	55 ppm		
Time to First Page (Black)	As fast as 9.5 seconds		
Print Resolution, Black	1200 Image Quality, 1200 x 1200 dpi, 2400 Image Quality, 600 x 600 dpi		
Memory, Standard	256 MB		
Memory, Maximum	1280 MB		
Print Noise Level, Operating	55 dBA		
Noise Level, Idle	28 dBA		
Maximum Monthly Duty Cycle: Up to	275000 pages per month		
Recommended Monthly Page Volume	5000 - 30000 pages		
Supplies			
Supplies Yield	25,000*-page High Yield Print Cartridge, *Average standard page yield value declared in accordance with ISO/IEC 19752., 7,000*-page Print Cartridge, 36,000*-page Extra High Yield Print Cartridge		
Cartridge(s) Shipping with Product	18,000*-page Starter Return Program Print Cartridge		
Copying			
Copy Speed (Letter, Black): Up to	55 cpm		
Scanning			
Scanning Resolution	600 X 600 dpi (black)		
Reduce / Enlarge Range	25 - 400 %		
Faxing			
Modem Speed	33.6 Kbps		
Paper Handling			
Paper Handling Standard	Integrated Duplex, 100-Sheet Multipurpose Feeder, 550-Sheet Drawer, 550-Sheet Input Tray, 550-Sheet Output Bin, 500-Sheet Offset Stacker	Integrated Duplex, 100-Sheet Multipurpose Feeder, 550-Sheet Drawer, 550-Sheet Input Tray, 550-Sheet Output Bin, 4-Bin Mailbox	Integrated Duplex, 100-Sheet Multipurpose Feeder, 550-Sheet Drawer, 550-Sheet Input Tray, 550-Sheet Output Bin, StapleSmart II Finisher
Paper Handling Optional	550-Sheet Drawer, Envelope Feeder		
Paper Input Capacity, Standard	1200 pages 20 lb or 75 gsm bond		
Paper Input Capacity, Maximum	2300 pages 20 lb or 75 gsm bond		
Paper Output Capacity, Standard	1050 pages 20 lb or 75 gsm bond	950 pages 20 lb or 75 gsm bond	1050 pages 20 lb or 75 gsm bond
Paper Output Capacity, Maximum	1050 pages 20 lb or 75 gsm bond	950 pages 20 lb or 75 gsm bond	1050 pages 20 lb or 75 gsm bond
ADF Paper Input Capacity : Up to	75 pages 20 lb or 75 gsm bond		
Media Types Supported	Card Stock, Dual Web Labels, Envelopes, Integrated Labels, Paper Labels, Plain Paper, Polyester Labels, Transparencies, Vinyl Labels, Refer to the Card Stock & Label Guide		
Media Sizes Supported	10 Envelope, 7 3/4 Envelope, 9 Envelope, A4, A5, DL Envelope, Executive, Folio, JIS-B5, Legal, Letter, Statement, Universal		
Compatibility			
Network Protocol Support	TCP/IP IPv4, IPX/SPX, AppleTalk™, LexLink (DLC), TCP/IP IPv6, TCP, UDP		
Printer Languages (Standard)	PCL 5e Emulation, PCL 6 Emulation, Personal Printer Data Stream (PPDS), PostScript 3 Emulation, xHTML, PDF 1.6, Direct Image, Microsoft XPS (XML Paper Specification)		
Standard Ports	Ethernet 10/100BaseTX (RJ-45), One Internal Card Slot, USB 2.0 Specification Hi-Speed Certified, USB port (Type A) compatible with USB 2.0 Specification, Front USB port Compatible with USB 2.0 Specification (Type A)		
Microsoft Windows Operating Systems Supported	2000, XP, Server 2003, XP x64, Server 2003 running Terminal Services, 2000 Server running Terminal Services, Server 2003 x64, Server 2003 x64 running Terminal Services, Vista, Vista x64, Server 2008, Server 2008 x64, Server 2008 running Terminal Services, Server 2008 x64 running Terminal Services		
Apple Macintosh Operating Systems Supported	Mac OS X, Mac OS 9.x		
Other Operating Systems Supported	www.lexmark.com		
General			
Function	Color Scanning, Copying, Faxing, Network Scanning, Printing		
Product Warranty	1-Year Onsite Service, Next Business Day		
Product Certifications	www.lexmark.com		
Size (in. - H x W x D)	43.9 x 21.6 x 23.5 in.		
Weight (lb.)	165.3 lb.	160.6 lb.	165.5 lb.
Specified Operating Environment	Temperature: 16 to 32°C (60 to 90°F), Humidity: 8 to 80% Relative Humidity, Altitude: 0 - 3048 Meters (10,000 Feet)		

Maximum Monthly Duty Cycle

«Maximum Monthly Duty Cycle» is defined as the maximum number of pages a device could deliver in a month. This metric provides a comparison of robustness in relation to other Lexmark printers and MFPS.

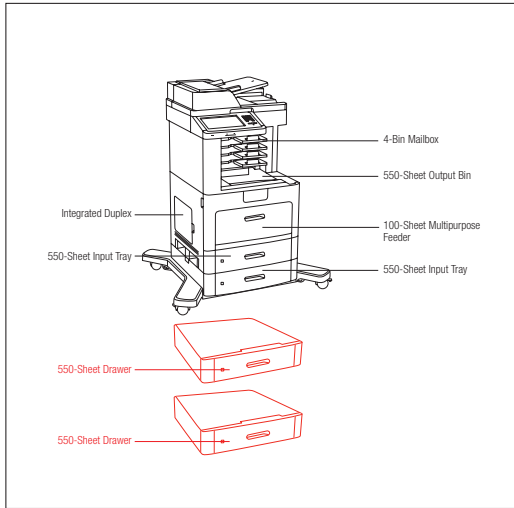
Recommended Monthly Page Volume

«Recommended Monthly Page Volume» is a range of pages that helps customers evaluate Lexmark's product offerings based on the average number of pages customers plan to print on the device each month. Lexmark recommends that the number of pages per month be within the stated range for optimum device performance, based on factors including: supplies replacement intervals, paper loading intervals, speed, and typical customer usage.

Trademarks

Lexmark and Lexmark with the diamond design are trademarks of Lexmark International, Inc., registered in the United States and/or other countries. All other trademarks are the property of their respective owners. PCL is a registered trademark of Hewlett-Packard Company, AppleTalk, Mac and Macintosh are trademarks of Apple Computer, Inc., registered in the United States and other countries. MarkNet and MarkVision are trademarks of Lexmark International, Inc., registered in the United States and/or other countries. The USB-IF logos are trademarks of Universal Serial Bus Implementers Forum, Inc. ENERGY STAR® is a U.S. registered mark. Microsoft, Windows, the Windows logo, Windows Vista, and the Windows Vista logo are trademarks or registered trademarks of Microsoft Corporation in the United States and/or other countries. Citrix, MetaFrame and MetaFrame XP are registered trademarks or trademarks of Citrix Systems, Inc. in the U.S. and other countries. Information in this document is subject to change without notice.

Lexmark X658dme



■ Paper Handling Standard
■ Paper Handling Optional

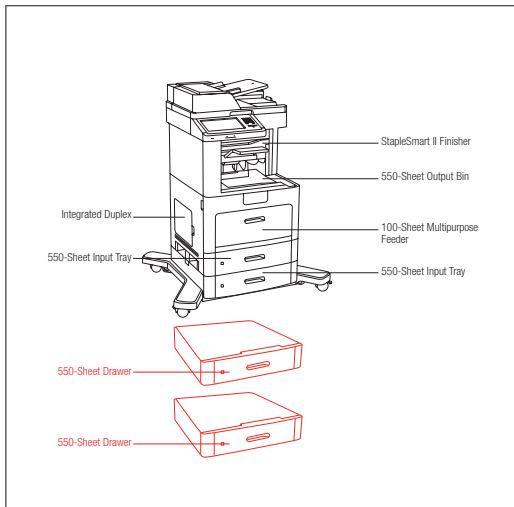
Part #	Model
16M1306	Lexmark X658dme MFP
Part #	Laser Toner/Print Cartridge
X654X11A	X654, X656, X658 Extra High Yield Return Program Print Cartridge
X651H11A	X65x High Yield Return Program Print Cartridge
X651A11A	X65x Return Program Print Cartridge
X654X04A	X654, X656, X658 Extra High Yield Return Program Print Cartridge for Labels
X651H04A	X65x High Yield Return Program Print Cartridge for Labels
X654X21A	X654, X656, X658 Extra High Yield Print Cartridge
X651H21A	X65x High Yield Print Cartridge
X651A21A	X65x Print Cartridge
Part #	Paper & Transparencies
70X7240	Laser Printer Transparencies (Letter)
Part #	Paper Handling
16M1100	X658 550-Sheet Drawer
30G0807	Envelope Feeder
Part #	Memory Options
1025041	256MB DDR2-DRAM
1025042	512MB DDR2-DRAM
1025043	1024MB DDR2-DRAM
14F0245	256MB Flash Card
30G0828	Japanese Font Card
30G0825	Korean Font Card
30G0826	Simplified Chinese Font Card
30G0827	Traditional Chinese Font Card
Part #	Application Solutions
30G0829	Lexmark PrintCrypton Card
16M1254	X65x Card for IPDS and SCS/Tne
16M1253	X65x Forms and Bar Code Card
Part #	Connectivity
1021294	USB (2 Meter) Cable
1021231	Parallel (10') Cable
14F0037	MarkNet N8120 Gigabit Ethernet Print Server
14F0042	MarkNet N8130 Fiber Ethernet 100BaseFX, 10BaseFL Print Server
14F0040	MarkNet N8150 802.11b/g/n Wireless Print Server
14T0145	Lexmark N4050e 802.11g Wireless Print Server
14T0220	MarkNet™ N7020e Gigabit Ethernet Print Server
14F0000	Parallel 1284-B Interface Card
14F0100	RS-232C Serial Interface Card

Part #	Extended Warranties
2350575	2-Years Total Onsite Service, Next Business Day
2350576	3-Years Total Onsite Service, Next Business Day
2350577	4-Years Total Onsite Service, Next Business Day
2350578	5-Years Total Onsite Service, Next Business Day
2350579	1-Year Onsite Service Renewal, Next Business Day
Part #	User Replaceable Parts
40X4724	T65x, X654e, X656e, X658e Fuser Maintenance Kit 110-120V
40X2665	Oil Fuser Wiper
40X2666	Wax Fuser Wiper
40X5852	Dual Charge Roll Assembly
40X1886	Transfer Roll Assembly
40X4308	Pick Roll Assembly
40X4769	X65x ADF Maintenance Kit

Other model available
Lexmark X658dme: Ships with a 550-Sheet Drawer for 1,750 sheets of standard input capacity, Part #16M1742

In the box
Lexmark X658dme Multifunction Laser Printer, MFP base, Up to 18,000*-page Return Program Print Cartridge, Software and documentation CD, Setup guide or sheet (network and local attachment), Power cord(s), RJ-11 Phone cable or adapter (country dependent), Statement of limited warranty, Safety sheet or booklet, Lexmark Cartridge Collection Program Information, Safety stability sheet, Blue Angel sheet

Lexmark X658dfe



■ Paper Handling Standard
■ Paper Handling Optional

Part #	Model
16M1305	Lexmark X658dfe MFP
Part #	Laser Toner/Print Cartridge
X654X11A	X654, X656, X658 Extra High Yield Return Program Print Cartridge
X651H11A	X65x High Yield Return Program Print Cartridge
X651A11A	X65x Return Program Print Cartridge
X654X04A	X654, X656, X658 Extra High Yield Return Program Print Cartridge for Labels
X651H04A	X65x High Yield Return Program Print Cartridge for Labels
X654X21A	X654, X656, X658 Extra High Yield Print Cartridge
X651H21A	X65x High Yield Print Cartridge
X651A21A	X65x Print Cartridge
25A0013	Staple Cartridges (3 pack)
Part #	Paper & Transparencies
70X7240	Laser Printer Transparencies (Letter)
Part #	Paper Handling
16M1100	X658 550-Sheet Drawer
30G0807	Envelope Feeder
Part #	Memory Options
1025041	256MB DDR2-DRAM
1025042	512MB DDR2-DRAM
1025043	1024MB DDR2-DRAM
14F0245	256MB Flash Card
30G0828	Japanese Font Card
30G0825	Korean Font Card
30G0826	Simplified Chinese Font Card
30G0827	Traditional Chinese Font Card
Part #	Application Solutions
30G0829	Lexmark PrintCrypton Card
16M1254	X65x Card for IPDS and SCS/Tne
16M1253	X65x Forms and Bar Code Card
Part #	Connectivity
1021294	USB (2 Meter) Cable
1021231	Parallel (10') Cable
14F0037	MarkNet N8120 Gigabit Ethernet Print Server
14F0042	MarkNet N8130 Fiber Ethernet 100BaseFX, 10BaseFL Print Server
14F0040	MarkNet N8150 802.11b/g/n Wireless Print Server
14T0145	Lexmark N4050e 802.11g Wireless Print Server
14T0220	MarkNet™ N7020e Gigabit Ethernet Print Server
14F0000	Parallel 1284-B Interface Card

Part #	Extended Warranties
2350575	2-Years Total Onsite Service, Next Business Day
2350576	3-Years Total Onsite Service, Next Business Day
2350577	4-Years Total Onsite Service, Next Business Day
2350578	5-Years Total Onsite Service, Next Business Day
2350579	1-Year Onsite Service Renewal, Next Business Day
Part #	User Replaceable Parts
40X4724	T65x, X654e, X656e, X658e Fuser Maintenance Kit 110-120V
40X2665	Oil Fuser Wiper
40X2666	Wax Fuser Wiper
40X5852	Dual Charge Roll Assembly
40X1886	Transfer Roll Assembly
40X4308	Pick Roll Assembly
40X4769	X65x ADF Maintenance Kit

Other models available
Lexmark X658de: Excludes StapleSmart II Finisher, Part #16M1301
Lexmark X658dfe: Excludes StapleSmart II Finisher, ships with a 550-Sheet Drawer for 1,750 sheets of standard input capacity, Part #16M1740
Lexmark X658dffe: Ships with a 550-Sheet Drawer for 1,750 sheets of standard input capacity, Part #16M1741

In the box
Lexmark X658dfe Multifunction Laser Printer, MFP base, up to 18,000*-page Return Program Print Cartridge, Software and documentation CD, Setup guide or sheet (network and local attachment), Power cord(s), RJ-11 Phone cable or adapter (country dependent), Statement of limited warranty, Safety sheet or booklet, Lexmark Cartridge Collection Program Information, Safety stability sheet, Blue Angel sheet

Lexmark's guarantee to you
Lexmark's 1-Year Onsite Service, Next Business Day warranty on the Lexmark X658 family provides added peace of mind. Enhanced service offerings may be available by contacting your Lexmark representative or visiting www.lexmark.com. Optimize your printer's performance and investment value by using Original Lexmark Supplies, Service and Parts.



Environmental commitment
Lexmark believes that the environment is a critical component of responsible business management and clearly demonstrates it by implementing the "4R" strategy: Reduce, Recover, Reuse and Recycle. To learn more about these programs please visit www.lexmark.com/recycle.

Cost-saving and environmental features

- Duplex models are Energy Star compliant
- Duplex printing, Print and Hold, multi-up and support of recycled paper help reduce paper consumption
- Eco-Mode reduces power consumption and Quiet Mode reduces noise
- High Yield Cartridges and Lexmark Cartridge Collection Program help reduce waste



